



PN - 021814



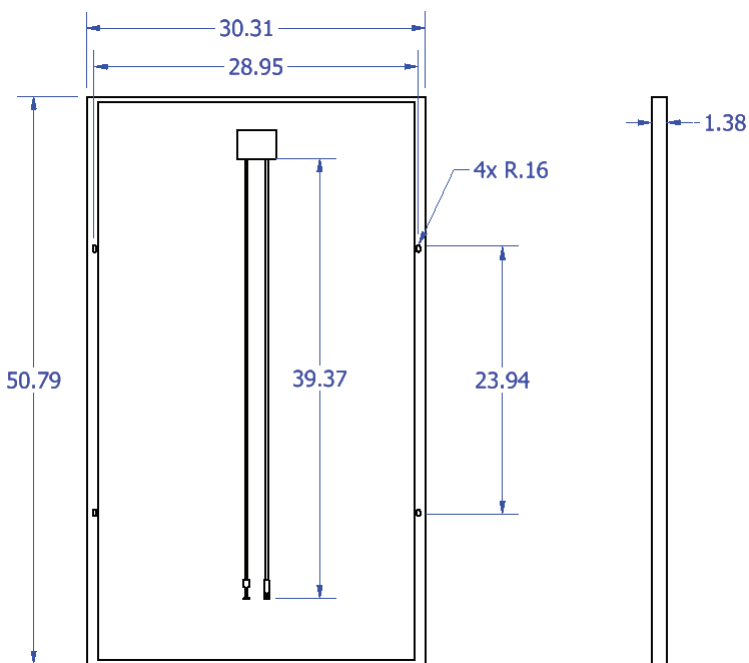
## 200W/12V SOLAR MODULE

High-quality module provides reliable solar electric power for industrial applications including monitoring and control, security, telecom, instrumentation, communications, and general battery charging.

### FEATURES

- M10 monocrystalline cell type
- Up to 2 bypass diodes protect against hot-spot damage during partial shading
- Anodized aluminum frame for increased durability
- Anti-reflective glass coating
- MC4 compatible connectors

RATED POWER (WATTS)		200W
Voc Open Circuit Voltage (Volts)		24.9V
Isc Short Circuit Current (Amps)		10.28A
Vmp Rated Voltage (Volts)		21.20V
Imp Rated Current (Amps)		9.54A
Max System Voltage (VDC)		600VDC
Series Fuse Rating (Amps)		15A
ELECTRICAL / THERMAL PARAMETERS		
Voltage Temperature coefficient (Voc)		-0.28 % / °C
Current Temperature coefficient (Isc)		-0.05 % / °C
Power Temperature coefficient (Pmax)		-0.37 % / °C
Peak Power Tolerance		+/- 3%
CERTIFICATIONS AND STANDARDS		
IEC61701	IS14286 Load Tests	CE Certified
IEC62804	IEC61750-1 & IEC 61730-2	



### DIMENSION AND WEIGHT

Module Size (LxWxD) inches	50.8 x 30.3 x 1.38
Module Size (LxWxD) mm	1290 x 770 x 35.05
Weight in lbs	28

### WARRANTY

Five years on material, ten years on performance, 20 years on performance (pro-rated based on performance degradation)



SHOP NOW

