



PN - 021813



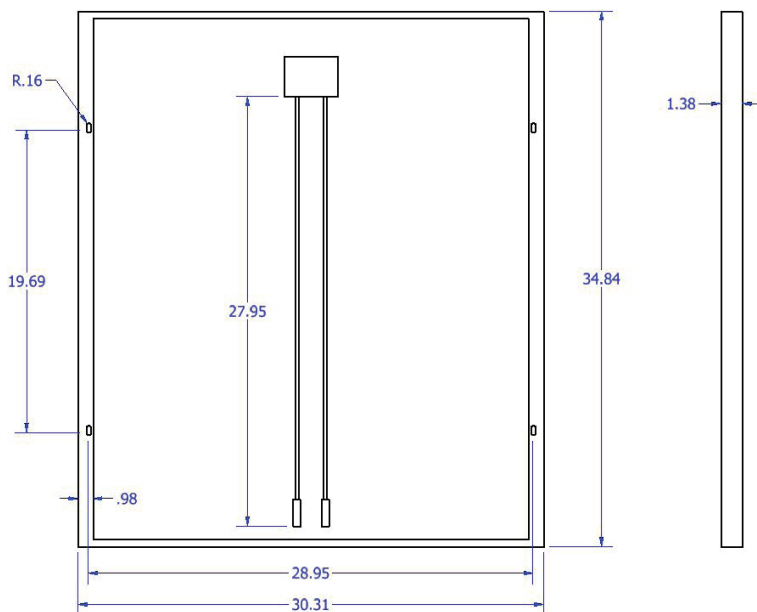
130W/12V SOLAR MODULE

High-quality module provides reliable solar electric power for industrial applications including monitoring and control, security, telecom, instrumentation, communications, and general battery charging.

RATED POWER (WATTS)		130W
Voc Open Circuit Voltage (Volts)		24.92V
Isc Short Circuit Current (Amps)		6.72A
Vmp Rated Voltage (Volts)		21.69V
Imp Rated Current (Amps)		6.10A
Max System Voltage (VDC)		600VDC
Series Fuse Rating (Amps)		10A
ELECTRICAL / THERMAL PARAMETERS		
Voltage Temperature coefficient (Voc)		-0.29 % / °C
Current Temperature coefficient (Isc)		-0.04 % / °C
Power Temperature coefficient (Pmax)		-0.29 % / °C
Peak Power Tolerance		+/- 3%
CERTIFICATIONS AND STANDARDS		
IEC61701	IS14286 Load Tests	CE Certified
IEC62804	IEC61750-1 & IEC 61730-2	

FEATURES

- M10 monocrystalline cell type
- Up to 2 bypass diodes protect against hot-spot damage during partial shading
- Anodized aluminum frame for increased durability
- Anti-reflective glass coating
- MC4 compatible connectors



DIMENSION AND WEIGHT

Module Size (LxWxD) inches	34.8 x 30.3 x 1.38
Module Size (LxWxD) mm	885 x 770 x 35.05
Weight in lbs	19

WARRANTY

Five years on material, ten years on performance, 20 years on performance (pro-rated based on performance degradation)



SHOP NOW



(866) 827-6527