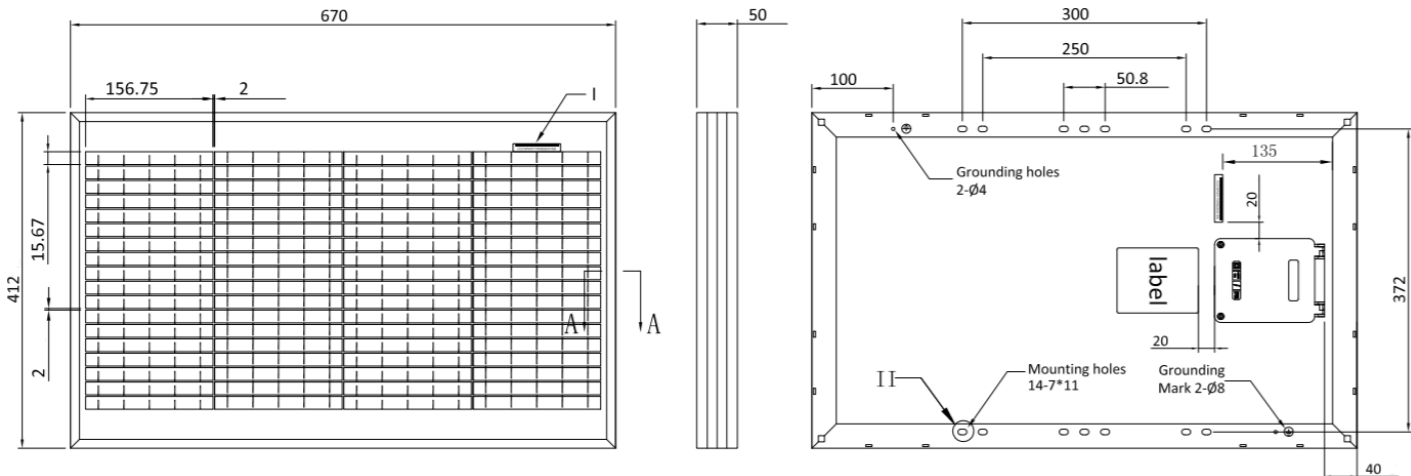


Solar Module (30W/12V)

High-quality module provides reliable solar electric power for industrial applications including monitoring and control, security, telecom, instrumentation, communications, and general battery charging. Up to two bypass diodes protect against hot-spot damage during partial shading. The junction box has four half-inch conduit knockouts. This module features UL-1703 and CE certifications.

SWPB Part #	
Rated Power (Watts)	30W
Voc Open Circuit Voltage (Volts)	22.50V
Isc Short Circuit Current (Amps)	1.71A
Vmp Rated Voltage (Volts)	18.65V
Imp Rated Current (Amps)	1.61A
Max System Voltage (VDC)	600V
Series Fuse Rating (Amps)	15A
Dimensions and Weights	
Module Size (L x W x D) inches	26.37 x 16.22 x 1.97
Module Size (L x W x D) mm	670 x 412 x 50
Weight (lb/kg)	7.90/3.60
Electrical/Thermal Parameters	
Voltage Temperature coefficient (Voc)	-0.31%/°C
Current Temperature coefficient (Isc)	0.05%/°C
Power Temperature coefficient (Pmax)	-0.36%/°C
Peak Power Tolerance	+/-3%
Temperature Range	-40°C to +85°C
Certifications and Standards	
UL 1703, ULC/ORD-C1703-01	
Warranty	
Five years on material, ten years on performance, 20 years on performance (pro-rated based on performance degradation)	



SHOP NOW



Headquarters
30893 Ehlen Drive SW
Albany, OR 97321
(866) 827-6527

