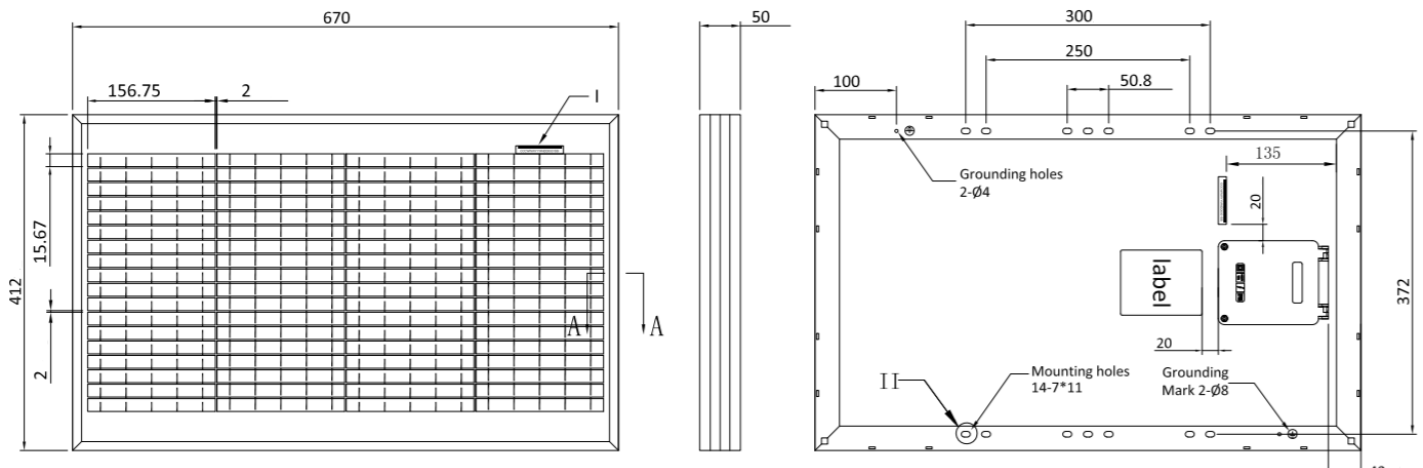


**Solar Module (30W/12V)**

High-quality module provides reliable solar electric power for industrial applications in hazardous locations including monitoring and control, security, telecom, instrumentation, communications, and general battery charging. Up to two bypass diodes protect against hot-spot damage during partial shading. The junction box has four half-inch conduit knockouts. This module features UL-1703, C1D2, and CE certifications.

<b>SWPB Part Number</b>	<b>020116</b>
Rated Power (Watts)	30W
Voc Open Circuit Voltage (Volts)	22.50V
Isc Short Circuit Current (Amps)	1.71A
Vmp Rated Voltage (Volts)	18.65V
Imp Rated Current (Amps)	1.61A
Maximum System Voltage (VDC)	600V
Series Fuse Rating (Amps)	15A
<b>Dimensions and Weights</b>	
Module Size, inches (L x W x D)	26.37 x 16.22 x 1.97
Module Size, mm (L x W x D)	670 x 412 x 50
Weight (lb/kg)	7.90/3.60
<b>Electrical/Thermal Parameters</b>	
Voltage Temperature coefficient (Voc)	-0.31%/°C
Current Temperature coefficient (Isc)	0.05%/°C
Power Temperature coefficient (Pmax)	-0.36%/°C
Peak Power Tolerance	+/-3%
Temperature Range	-40°C to +85°C
<b>Certifications and Standards</b>	
UL 1703, ULC/ORD - C1703-01, Class 1 Division 2 Group A,B,C, and D	
<b>Warranty</b>	
Five years on material, ten years on performance, 20 years on performance (pro-rated based on performance degradation)	



**SHOP NOW**



**Headquarters**  
30893 Ehlen Drive SW  
Albany, OR 97321  
(866) 827-6527

