

Side of Pole Mounts – Small Format Series

SunWize has released our latest-generation of Side of Pole Mounts for industrial applications. These Side of Pole mounts fit on 2" to 10" Sch. 40 poles, and are also Rohn Tower mountable. The spacing between Saddle Brackets is adjustable to allow for a wide window of available tilt angles. For high wind applications, Band Clamps may be substituted for U-Bolt Mounting hardware.

Quality and Reliability

- Universal slotted design fits (1x) 40W to 180W panel on 27.5" rail
- 60" mounts fit (2x) 40W to 180W, or (1x) 40 watt to 410 watt panel
- Heavy duty aluminum provides strength and durability
- Stainless steel fastener hardware ensures long life

Features

- Mounting options for Pole, Tower, Surface, and More
- Adjustable tilt angle from 25° to 90° from horizontal
- Adjustable band clamps
- Easy-mount bracket for quick installation



SWPB Part Number	Supported Modules Configuration	Rail Length (inches)	Pipe Size (Sch 40)	Weight (lbs)
240044	1 Small Format	27.5	2-6	35
240047	1 Small Format	27.5	8-10	35
240045	2 Small Format	60	2-6	43
240048	2 Small Format	60	8-10	43

Wind Speed Rating

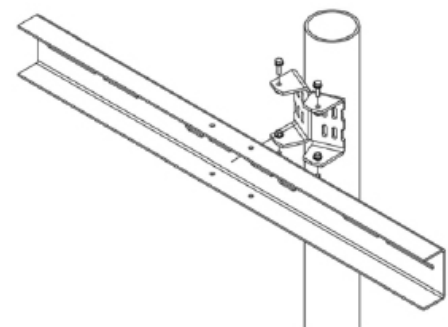
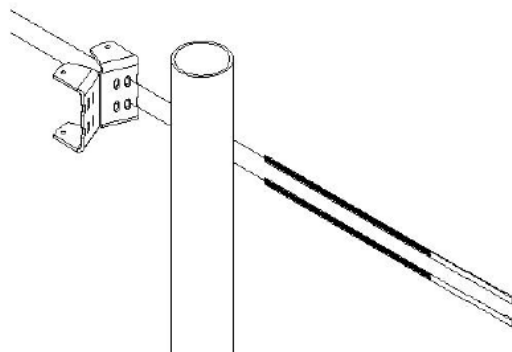
SunWize Side of Pole Mounts are rated to ASCE-716 110 MPH gusts in most applications. Tilt angle, pole size, location, mounting distance above grade, all have an effect on wind rating. Consult one of our Solar Experts for more details.

Easy Mount Solar Bracket

Our Side of Pole mounts include the Easy Mount Solar Bracket, designed to reduce installation time. This latest generation bracket replaced four pole adapter kits in our previous lineup, reducing installation time, and increasing ease of adjustment.

Features

- Easy Adjustment
- Reduced Complexity
- Shorter installation time
- Reduced number of parts



SHOP NOW



Headquarters
30893 Ehlen Dr Sw
Albany, OR 97321
(866) 827-6527

