

Side of Pole Mounts – Multi-Module Adjustable

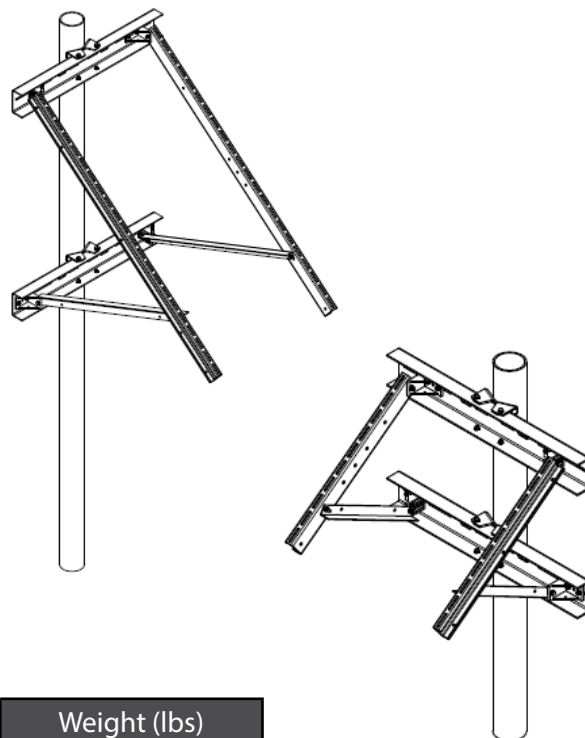
High quality solar module mounts for industrial applications. SunWize solar module mounts are weather resistant and provide strength and durability in extreme environments. We have developed a quick-installation bracket for easy mounting.

Quality and Reliability

- Universal slotted design fits a variety of module sizes
- Heavy duty aluminum provides strength and durability
- Stainless steel fasteners ensure long life

Features

- Pole saddle brackets
- Adjustable tilt, from 25° to 60° from horizontal
- Adjustable pipe clamps
- Anti-seize compound
- Easy-mount bracket for quick installation



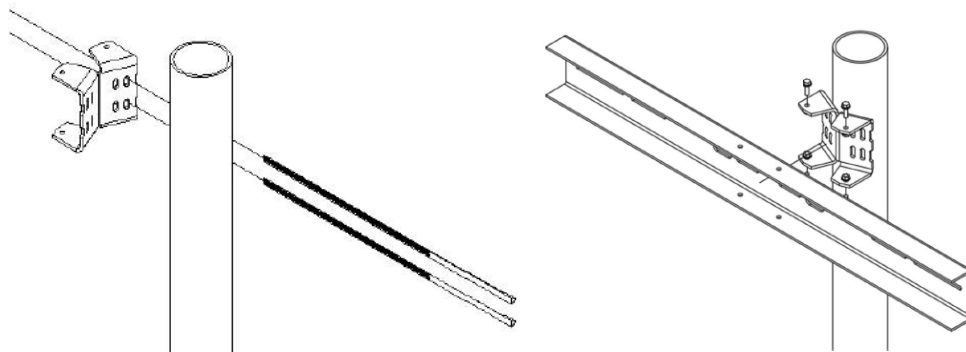
SWPB Part #	Rail Length (inches)	Pipe Size (sch40)	Weight (lbs)
240044	27.5	2-6	23
240047	27.5	8-12	30

Easy Mount Solar Bracket

Our mounts include the Easy Mount Solar Bracket designed to speed up installation time. This single bracket replaced four pole adapter kits rendering the mount easier to adjust.

Features

- Easier to adjust
- Less required inventory
- Shorter installation time
- Reduced number of parts



SHOP NOW



Headquarters
30893 Ehlen Dr Sw
Albany, OR 97321
(866) 827-6527

