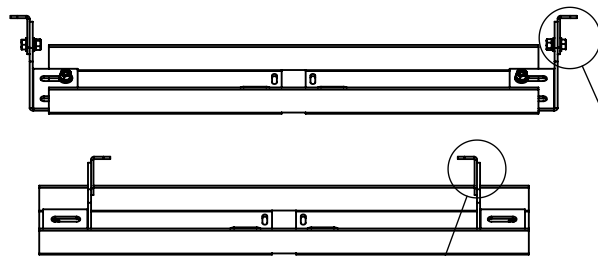
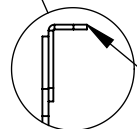


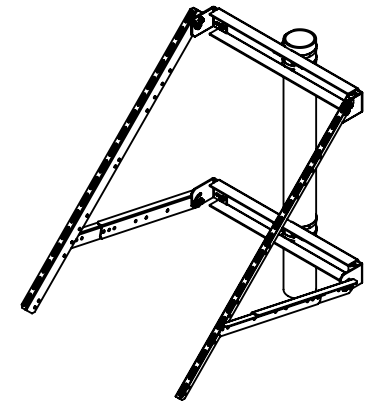
MEASURE DIMENSION (A) ON THE SOLAR PANEL TO DETERMINE WHETHER THIS SP BUCKET MOUNT WILL WORK FOR YOUR APPLICATION. IF THE HOLE TO HOLE CENTERLINE DIMENSION IS BETWEEN 18.90" - 28.70" THIS WILL ACCOMMODATE THE PANEL.



PANEL SUPPORT RAIL FACING "IN" ON INSIDE OF BRACKET



PANEL SUPPORT RAIL FACING "OUT" ON OUTSIDE OF BRACKET



**SIDE OF POLE CONFIGURATION
PANEL MOUNTING HOLE
CENTER TO CENTER RANGE FOR
25.5" BUCKET USED IN MODELS:**

- UNI-SP/01
- UNI-SP/01A
- UNI-SP/02
- UNI-SP/02A
- UNI-SP/03

**UNI-SP/02 SIDE OF POLE SHOWN.
SEE SHEET 2 FOR UNI-SP/01 OVER THE
TOP OF THE POLE CONFIGURATION**

DRAWN	VZ	09/14/16
CHECKED	VZ	09/14/16
ENG APPR.	VZ	09/14/16
MFG APPR.	VZ	09/14/16
Q.A.	VZ	09/14/16

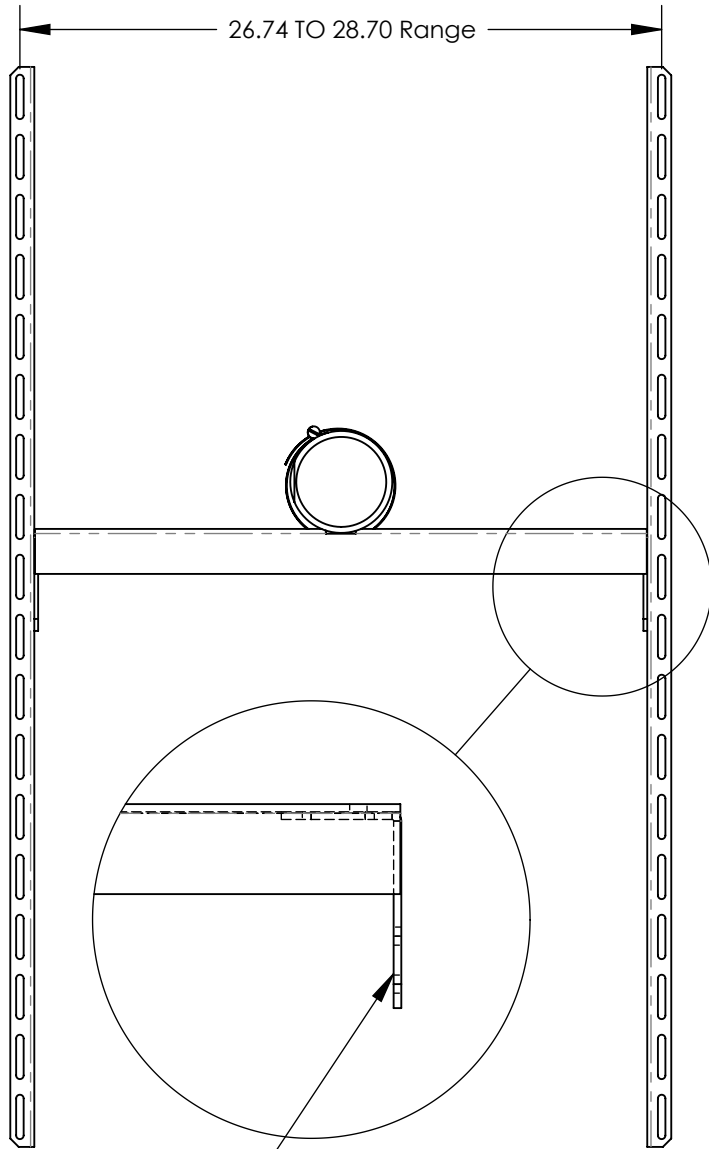
COMMENTS:

DO NOT SCALE DRAWING

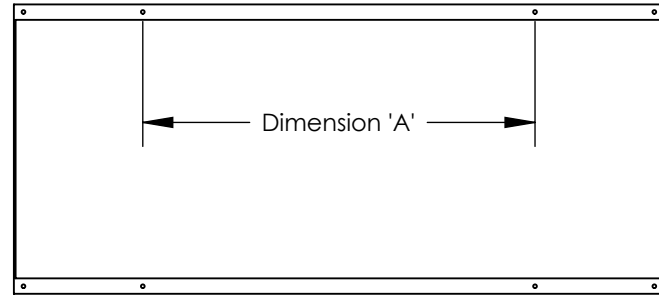


SMALL SP BUCKET SIZING RANGE

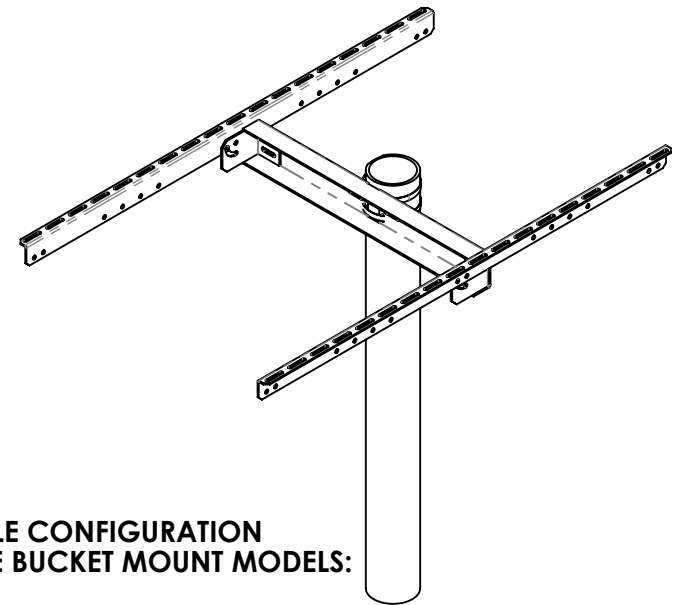
SIZE A	DWG. NO.	SIZING REFERENCE	REV. A
SCALE:1:8	WEIGHT:	SHEET 1 OF 2	



BRACKET FACING OUT



MEASURE DIMENSION (A) ON THE SOLAR PANEL TO DETERMINE WHETHER THIS SMALL SP BUCKET MOUNT WILL WORK IN AN OVER THE TOP OF POLE CONFIGURATION.. IF THE HOLE TO HOLE CENTERLINE DIMENSION IS BETWEEN 26.74" - 28.70" THIS WILL WORK IN THIS CONFIGURATION.



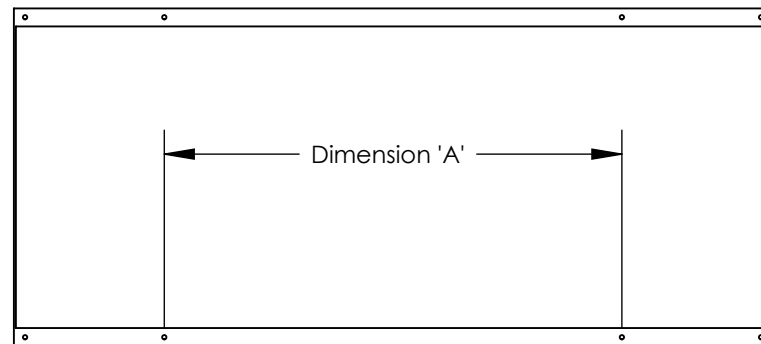
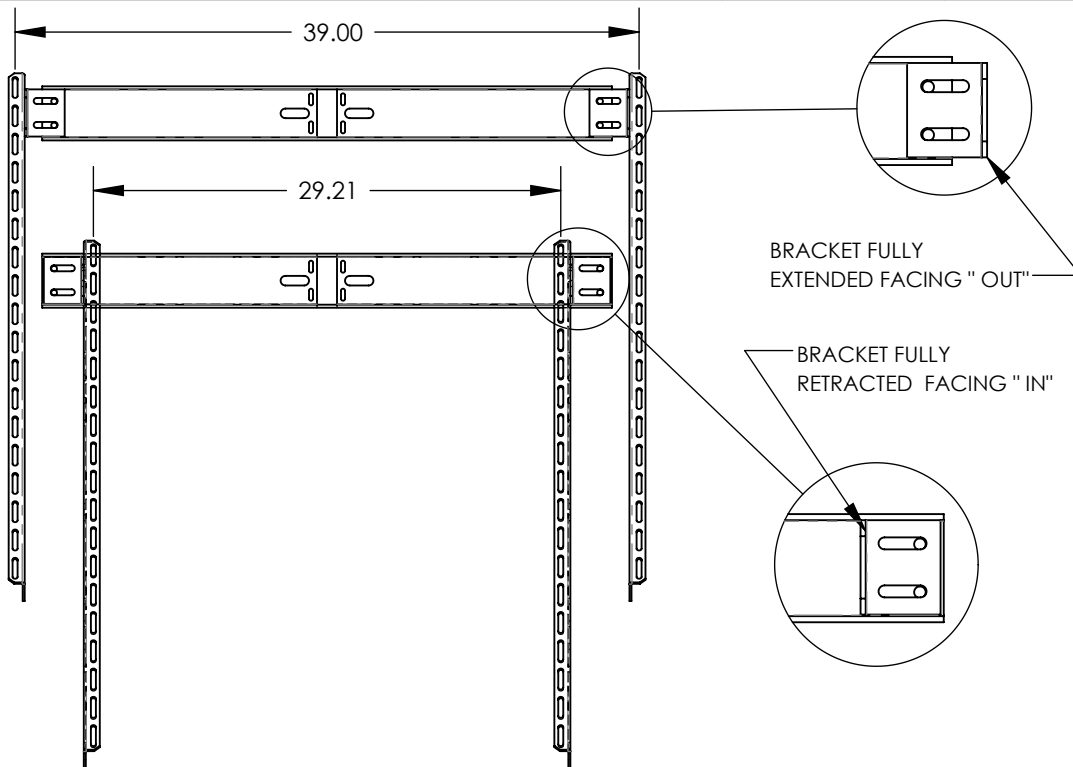
**TOP OF POLE CONFIGURATION
 FOR SINGLE BUCKET MOUNT MODELS:
 UNI-SP/01
 UNI-SP/01A**

DRAWN	VZ	09/14/16
CHECKED	VZ	09/14/16
ENG APPR.	VZ	09/14/16
MFG APPR.	VZ	09/14/16
Q.A.	VZ	09/14/16

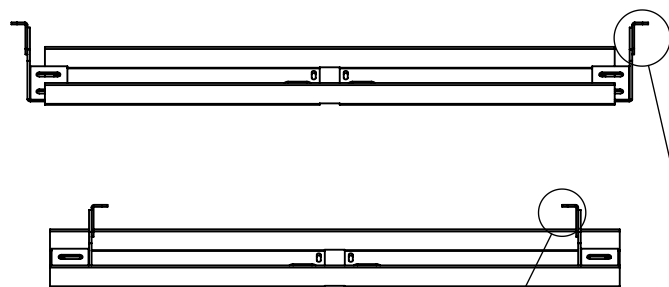


SMALL SP BUCKET SIZING RANGE

COMMENTS:			
DO NOT SCALE DRAWING	SIZE A	DWG. NO. SIZING REFERENCE	REV. A
SCALE:1:8	WEIGHT:	SHEET 2 OF 2	

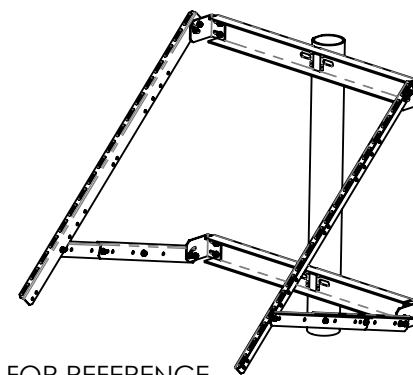


MEASURE DIMENSION (A) ON THE SOLAR PANEL TO DETERMINE WHETHER THIS SP BUCKET MOUNT WILL WORK FOR YOUR APPLICATION. IF THE HOLE TO HOLE CENTERLINE DIMENSION IS BETWEEN 29.2" - 39.0" THIS WILL ACCOMMODATE THE PANEL.

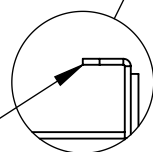


**SIDE OF POLE CONFIGURATION
PANEL MOUNTING HOLE
CENTER TO CENTER RANGE FOR
36.6" BUCKET USED IN MODELS:
UNI-SP/01XH
UNI-SP/01XX
UNI-SP/02X
UNI-SP/03W**

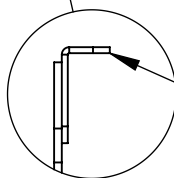
UNI-SP/02X, SHOWN FOR REFERENCE



PANEL SUPPORT
RAIL FACING "IN" ON
INSIDE OF BRACKET



PANEL SUPPORT
RAIL FACING "OUT"
ON OUTSIDE OF BRACKET



DRAWN	VZ	09/14/16
CHECKED	VZ	09/14/16
ENG APPR.	VZ	09/14/16
MFG APPR.	VZ	09/14/16
Q.A.	VZ	09/14/16

COMMENTS:

DO NOT
SCALE DRAWING



LARGE SP BUCKET SIZING RANGE

SIZE A	DWG. NO.	SIZING REFERENCE	REV. A
SCALE:1:8	WEIGHT:	SHEET 1 OF 1	