

**Side of Pole Mounts – Large Format Series - Adjustable**

SunWize has released our latest-generation of Side of Pole Mounts for industrial applications. These Side of Pole mounts fit on 2” to 10” Sch. 40 poles, and are also Rohn Tower mountable. Our Large Format mounts feature adjustable tilt legs for ease of installation. For high wind applications, band clamps may be substituted for U-Bolt mounting hardware, and an optional Cable Bracing Kit is available (P/N 240052).

**Quality and Reliability**

- Universal slotted design fits (1x) 40W to 410W module on 60” mounts, or (3x) 40W to 180W modules on 96” mounts
- Heavy duty aluminum provides strength and durability
- Stainless steel fastener hardware ensures long life

**Features**

- Mounting options for Pole, Tower, Surface, Strut, and More
- Adjustable tilt angle from 25° to 90° from horizontal
- Adjustable band clamps
- Easy-mount bracket for quick and single-person installation



SWPB Part Number	Supported Modules Configuration	Rail Length (inches)	Pipe Size (Sch 40)	Weight (lbs)
<a href="#">240002</a>	1 Large Format	60	2-6	35
<a href="#">240007</a>	1 Large Format	60	8-10	35
<a href="#">240003</a>	2 Large Format	96	4-6	45
<a href="#">240008</a>	2 Large Format	96	8-10	45

**Wind Speed Rating**

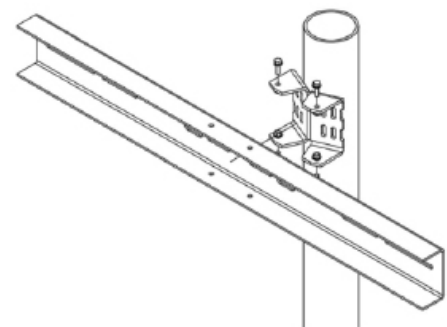
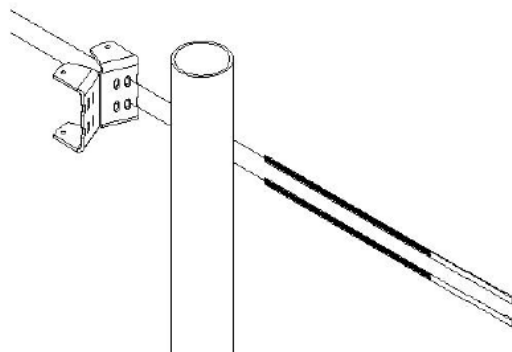
SunWize Side of Pole Mounts are rated to ASCE-716 110 MPH gusts in most applications. Tilt angle, pole size, location, mounting distance above grade, all have an effect on wind rating. Consult one of our Solar Experts for more details.

**Easy Mount Solar Bracket**

Our Side of Pole mounts include the Easy Mount Solar Bracket, designed to reduce installation time. This latest generation bracket replaced four pole adapter kits in our previous lineup, reducing installation time, and increasing ease of adjustment.

**Features**

- Easy Adjustment
- Reduced Complexity
- Shorter installation time
- Reduced number of parts



**SHOP NOW**



**Headquarters**  
30893 Ehlen Dr Sw  
Albany, OR 97321  
(866) 827-6527

