

Economy Battery Enclosures: F Series

Cost-effective solutions for housing one to four batteries (up to group size 31) with supporting equipment. NEMA3R rated, white power-coated or mill-finished aluminum enclosures feature hinged, key-lockable doors with dust covers on locks and gasketed door. Passive cooling ventilation. Two rear ½" electrical knock-outs. All Power Ready Express (PRE) Control Panels fit in F-Series enclosures.

SWPB Part #	Model	Finish	Maximum Quantity x Battery Group	Locking Feature	H x W x D (inches)	Weight (lbs.)
004154	F1	Powder-coated	1 x G31	Keyed latch	20.8 x 16.0 x 9.4	25
004219	F2	Powder-coated	2 x G31	Keyed latch	20.8 x 16.0 x 14.4	30
004222	F4	Powder-coated	4 x G31	Keyed latch	32.0 x 16.0 x 14.4	40
260003	F4-Tall	Powder-Coated	4 x G31	Keyed Latch	46.0 x 16.0 x 15.75	45

(F Series Bracket Accessory Options - Sold Separately)

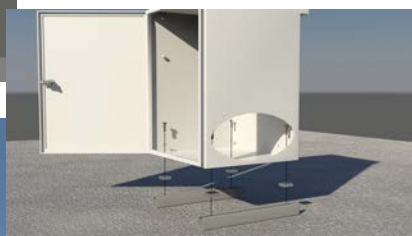
SWPB Part#	Model	Finish	Description	H x W x D (inches)	Weight (lbs.)
004386	F-BKTSET	Power-coated	Pole Mounting Bracket	2 x 2 x 13	2.0
004373	PD-MTGBKTSET	Mill-finished	Pad Mounting Bracket	1.6 x 1.6 x 20	4.0

Optional F-Series Power Electronics Mounting Panels

SWPB Part#	Model	Description	Dimensions H x W (inches)	Weight (lbs.)
004228	F-HC-RP-B	Rear panel-blank	15.0 x 6.5	1.0
004237	F-HC-RP-D	Rear panel-drilled	15.0 x 6.5	1.0
007871	F-HC-RSP-1B	Right side-blank	8.75 x 3.75	0.5
007872	F-HC-RSP-2/4B	Right side-blank	9.5 x 6.25	0.5
250004	F-HC-RP-TF4	Rear panel-blank	15.4 x 13.25	2.0
240015	Radio Shelf	Radio Shelf	15.0 x 7.5	1.0



Room for electronics backplate and between 1 to 4 Group 31 batteries



Padmount & Pole-mount Options Available



SHOP NOW



Headquarters
30893 Ehlen Dr Sw
Albany, OR 97321
(866) 827-6527



F1 Aluminum Enclosure **004154**



F1 Enclosure with a single G31 battery

The SunWize Power & Battery F1 aluminum enclosure features a white powder-coated finish and a NEMA3R rating for indoor or outdoor use. The F1 enclosure can mount on a flat vertical surface or on a variety of pole sizes. It also features hinged, key-lockable doors with dust covers on locks and gasketed door. Passive cooling ventilation.

The F1 enclosure can hold a variety of battery sizes with plenty of space left over for controls equipment on its backplate. The rear mounted backplate measures 15" x 6.5" and the side mounted backplate measures 8.75" x 3.75". There are three 1/2" knockouts available on the back for wiring purposes.

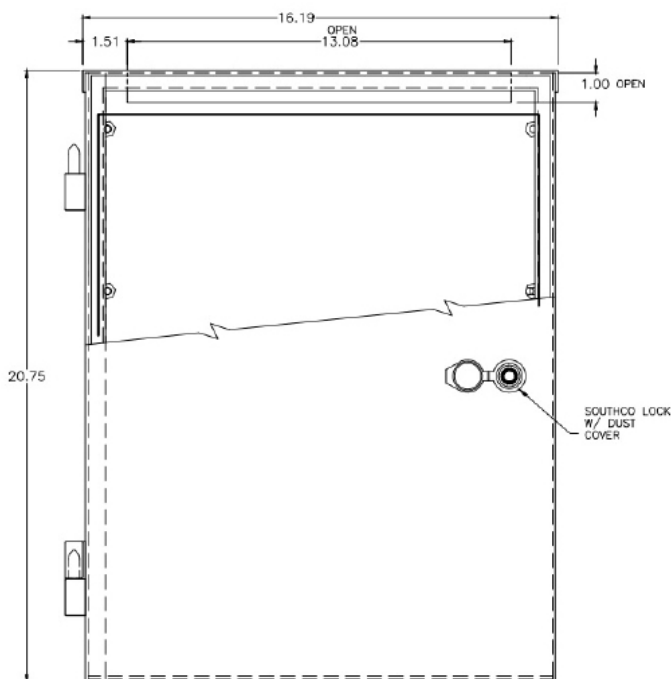
Physical Dimensions **20.8"H x 16.0"W x 9.4"D** **25lbs**

FEATURES:

- NEMA3R Aluminum Enclosure
- Three 1/2" Knockouts
- Key-lockable door
- Pole or surface mounted
- Works with [240015](#) Radio Shelf or [007871](#) Side Plate, not both

F1 enclosure battery quantities

Group Size / BCI No.	Dimensions (L x W x H) inches	Quantity
U1	7.71" x 5.18" x 6.89"	3
40	7.76" x 6.62" x 6.87"	3
22NF	9.01" x 5.43" x 9.00"	2
34	10.00" x 6.88" x 7.63"	2
24	11.13" x 6.60" x 9.25"	1
27	12.00" x 6.63" x 9.06"	1
31	12.9" x 6.75" x 9.27"	1



F2 Aluminum Enclosure **004219**



F2 Enclosure with two G31 batteries

The SunWize Power & Battery F2 aluminum enclosure features a white powder-coated finish and a NEMA3R rating for indoor or outdoor use. The F2 enclosure can mount on a flat vertical surface or on a variety of pole sizes. It also features hinged, key-lockable doors with dust covers on locks and gasketed door. Passive cooling ventilation.

The F2 enclosure can hold a variety of battery sizes with plenty of space left over for controls equipment on its backplate. The rear mounted backplate measures 15" x 6.5" and the side mounted backplate measures 9.5" x 6.25". There are three 1/2" knockouts available on the back for wiring purposes.

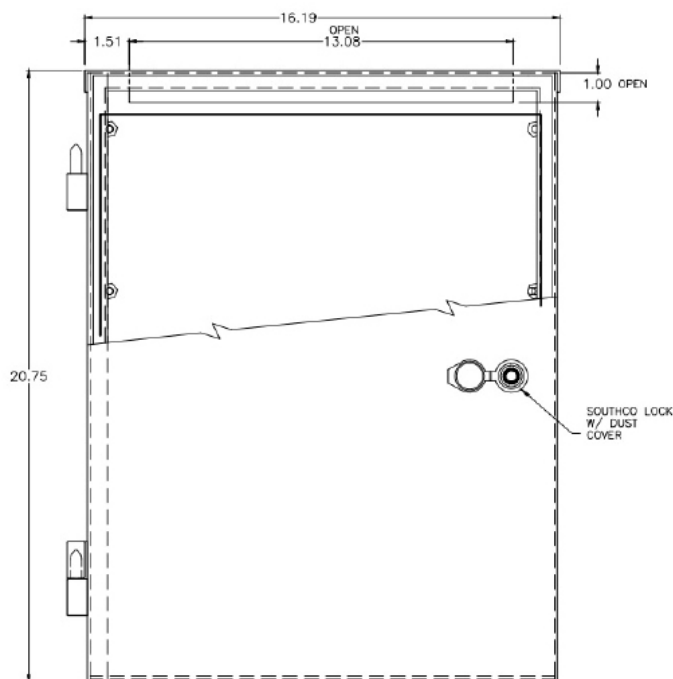
Physical Dimensions **20.8"H x 16.0"W x 14.4"D** **30lbs**

FEATURES:

- NEMA3R Aluminum Enclosure
- Three 1/2" Knockouts
- Key-lockable door
- Pole or surface mounted
- Works with [240015](#) Radio Shelf or [007872](#) Side Plate, not both

F2 enclosure battery quantities

Group Size / BCI No.	Dimensions (L x W x H) inches	Quantity
U1	7.71" x 5.18" x 6.89"	4
40	7.76" x 6.62" x 6.87"	4
22NF	9.01" x 5.43" x 9.00"	4
34	10.00" x 6.88" x 7.63"	2
24	11.13" x 6.60" x 9.25"	2
27	12.00" x 6.63" x 9.06"	2
31	12.9" x 6.75" x 9.27"	2



F4 Aluminum Enclosure **004222**

F4 Enclosure with four G31 batteries



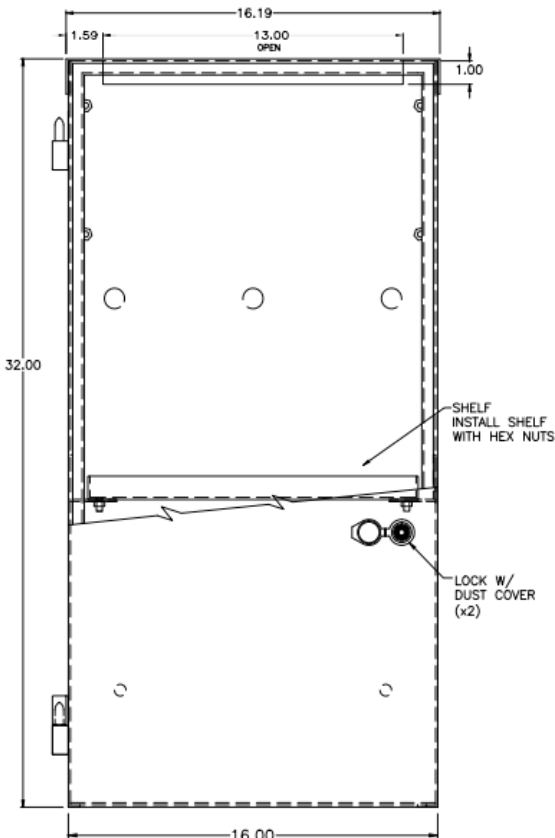
The SunWize Power & Battery F4 aluminum enclosure features a white powder-coated finish and a NEMA3R rating for indoor or outdoor use. The F4 enclosure can mount on a flat vertical surface or on a variety of pole sizes. It also features hinged, key-lockable doors with dust covers on locks and gasketed door. Passive cooling ventilation.

The F4 enclosure can hold a variety of battery sizes with plenty of space left over for controls equipment on its backplate. The rear mounted backplate measures 15" x 6.5" and the side mounted backplate measures 9.5" x 6.25". There are three 1/2" knockouts available on the back for wiring purposes.

32"H x 16.0"W x 14.4"D / **40lbs**

F4 enclosure battery quantities

Group Size / BCI No.	Dimensions (L x W x H) inches	Quantity
24	11.13" x 6.60" x 9.25"	4
27	12.00" x 6.63" x 9.06"	4
31	12.9" x 6.75" x 9.27"	4
GC2	10.38" x 7.13" x 10.88"	2



- FEATURES:**
- NEMA3R Aluminum
 - Three 1/2" Knockouts
 - Key-lockable door
 - Pole or surface mounted
 - Works with [240015](#) Radio Shelf or [007872](#) Side Plate, not both
 - Removable Battery Shelf

F4-Tall Aluminum Enclosure **260003**

F4-Tall Enclosure will fit four "Oversized" Group 31 batteries, unlike our F4, while simultaneously having more space for control panel items



The SunWize Power & Battery F4-Tall aluminum enclosure features a white powder-coated finish and a NEMA3R rating for indoor or outdoor use. The F4-Tall enclosure can mount on a flat vertical surface or on a variety of pole sizes. It also features feature hinged, key-lockable doors with dust covers on locks and gasketed door. Passive cooling ventilation.

The F4-Tall enclosure can hold a variety of battery sizes with plenty of space left over for controls equipment on its backplate. The rear mounted backplate measures 15.375" x 13.25" and the side mounted backplate measures 9.5" x 13.25". There are three 1/2" knockouts available on the back for wiring purposes.

47"H x 16.0"W x 15.75"D / **45lbs**

F4-Tall enclosure battery quantities

Group Size / BCI No.	Dimensions (L x W x H) inches	Quantity
24	11.13" x 6.60" x 9.25"	4
27	12.00" x 6.63" x 9.06"	4
31	12.9" x 6.75" x 9.27"	4
Oversized 31	13.39" x 6.81" x 11.10"	4
GC2	10.38" x 7.13" x 10.88"	2

FEATURES:

- NEMA3R Aluminum Enclosure
- Three 1/2" Knockouts
- Key-lockable door
- Pole or surface mounted
- Uses [250004](#) backplate 15.4" x 13.25" for extra space comparnd to F4
- Works with modified Radio Shelf or [250005](#) Side Plate, not both
- Fits Oversized G31 Battery Style

