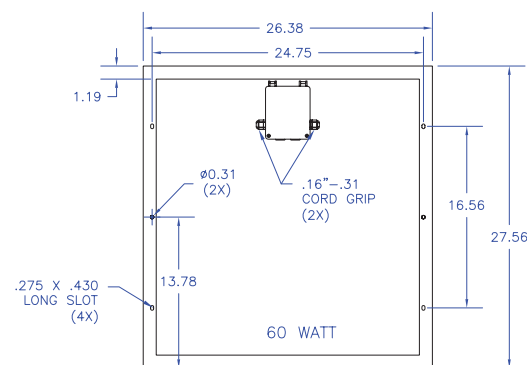
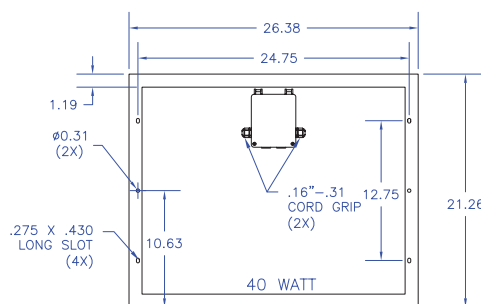
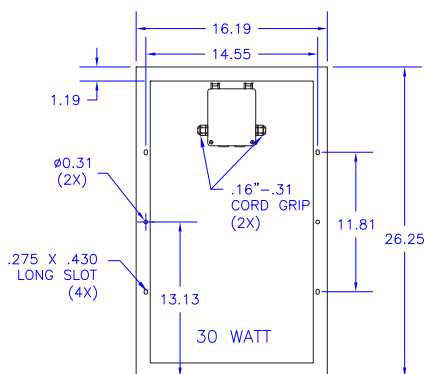
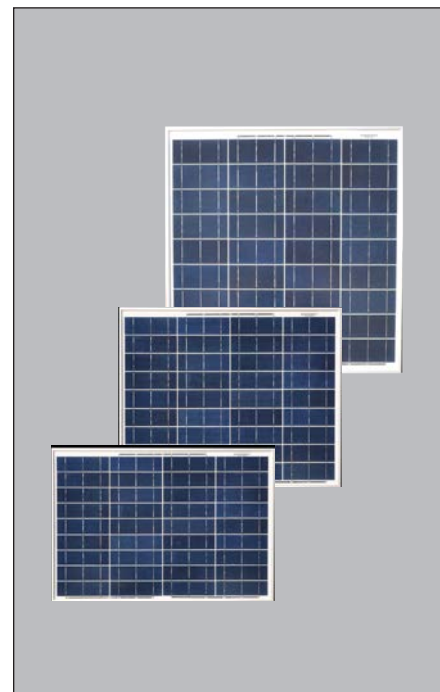


Solar Modules (30W - 60W / 12V)

High quality solar module modules for industrial applications. Top-quality performance for all solar electric power applications such as monitoring and control, security, instrumentation, communications, and general battery charging. Two (2) bypass diodes protect against hot-spot damage during partial shading. Junction box has (4)-1/2" conduit knockouts and (2) pre-installed cord grips.

| SWPB Part # | 019385 | 017098 | 017114 |
|---------------------------------------|-------------|-------------|-------------|
| Rated Power (Watts) | 30W | 40W | 60W |
| Voc Open Circuit Voltage (Volts) | 22.6 | 22.2 | 22.5 |
| Isc Short Circuit Current (Amps) | 1.7 | 2.6 | 3.6 |
| Vmp Rated Voltage (Volts) | 19.0 | 18.3 | 18.3 |
| Imp Rated Current (Amps) | 1.6 | 2.2 | 3.3 |
| Max System Voltage (VDC) | 1000V | 1000V | 1000V |
| Series Fuse Rating (Amps) | 10 | 10 | 10 |
| Dimensions and Weights | | | |
| Module Size (l x w) inches | 16.2 x 26.2 | 21.3 x 26.4 | 27.6 x 26.4 |
| Module Size (l x w) mm | 666 x 412 | 670 x 540 | 700 x 670 |
| Weight (lb / kg) | 10/4.5 | 9.9 / 4.5 | 12.1 / 5.5 |
| Electrical / Thermal Parameters | | | |
| Voltage Temperature coefficient (Voc) | -0.35%/°C | | |
| Current Temperature coefficient (Isc) | 0.05%/°C | | |
| Power Temperature coefficient (Pmax) | -0.40%/°C | | |
| Peak Power Tolerance | +/-3% | | |
| Warranty | | | |
| Limited Workmanship Warranty | 2 years | | |
| Limited Performance Warranty | 15 years | | |



SHOP NOW



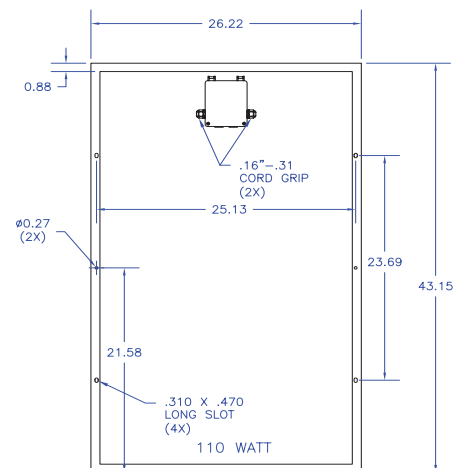
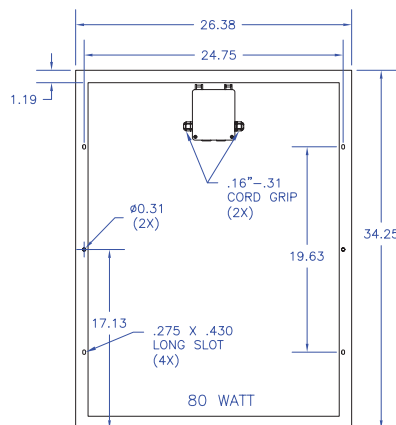
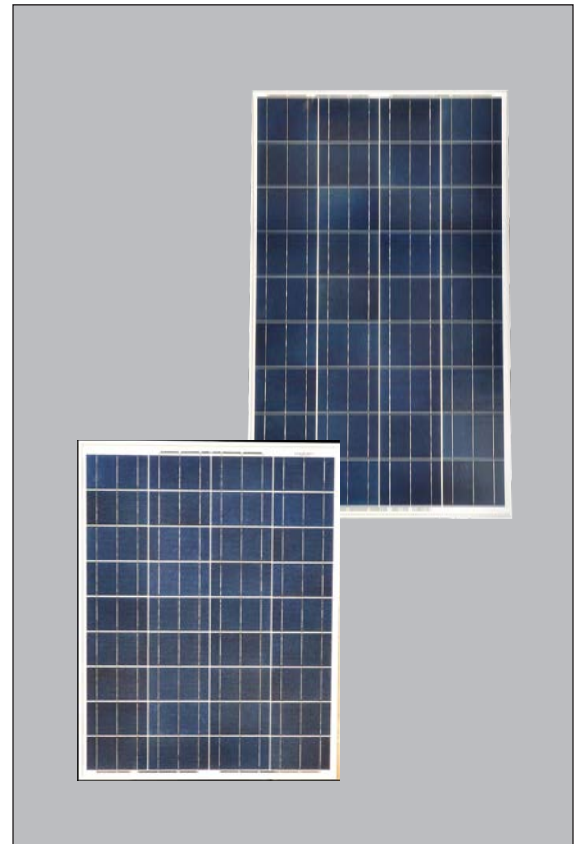
Headquarters
30893 Ehlen Dr Sw
Albany, OR 97321
(866) 827-6527



Solar Modules (80W - 110W / 12V)

High quality solar module modules for industrial applications. Top-quality performance for all solar electric power applications such as monitoring and control, security, instrumentation, communications, and general battery charging. Two (2) bypass diodes protect against hot-spot damage during partial shading. Junction box has (4)-1/2" conduit knockouts and (2) pre-installed cord grips.

| SWPB Part # | 017115 | 017102 |
|--|-------------|-------------|
| Rated Power (Watts) | 80W | 110W |
| Voc Open Circuit Voltage (Volts) | 22.6 | 22.7 |
| Isc Short Circuit Current (Amps) | 4.7 | 6.3 |
| Vmp Rated Voltage (Volts) | 18.7 | 18.4 |
| Imp Rated Current (Amps) | 4.3 | 6.0 |
| Max System Voltage (VDC) | 1000V | 1000V |
| Series Fuse Rating (Amps) | 10 | 15 |
| Dimensions and Weights | | |
| Module Size (l x w) inches | 35.3 x 26.4 | 43.1 x 26.2 |
| Module Size (l x w) mm | 870 x 670 | 1096 x 666 |
| Weight (lb / kg) | 15.4 / 7.0 | 17.6 / 8.0 |
| Electrical / Thermal Parameters | | |
| Voltage Temperature coefficient (Voc) | -0.35%/°C | |
| Current Temperature coefficient (Isc) | 0.05%/°C | |
| Power Temperature coefficient (Pmax) | -0.40%/°C | |
| Peak Power Tolerance | +/-3% | |
| Warranty | | |
| Limited Workmanship Warranty | 2 years | |
| Limited Performance Warranty | 15 years | |



SHOP NOW



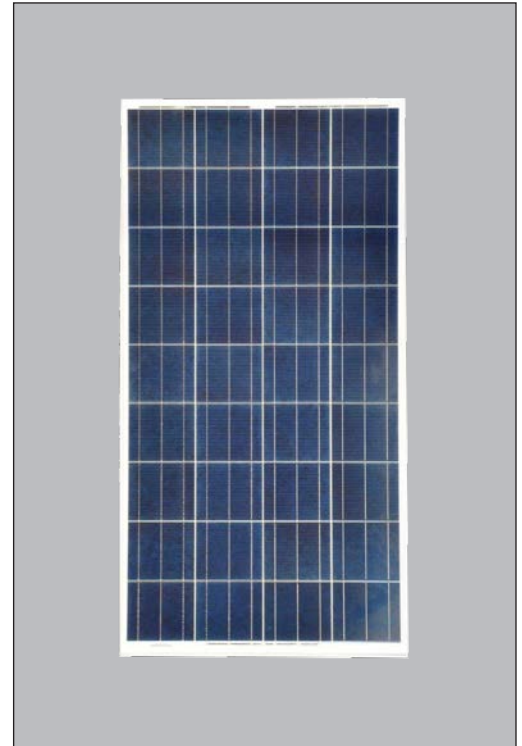
Headquarters
30893 Ehlen Dr Sw
Albany, OR 97321
(866) 827-6527



Solar Modules (150W / 12V)

High quality solar module modules for industrial applications. Top-quality performance for all solar electric power applications such as monitoring and control, security, instrumentation, communications, and general battery charging. Two (2) bypass diodes protect against hot-spot damage during partial shading. Junction box has (4)-1/2" conduit knockouts and (2) pre-installed cord grips. The new SWPB 150W (019922) features UL-Certification and a 4 ft. Nimbo to Amphenol H4 cable pre-installed for easy installation.

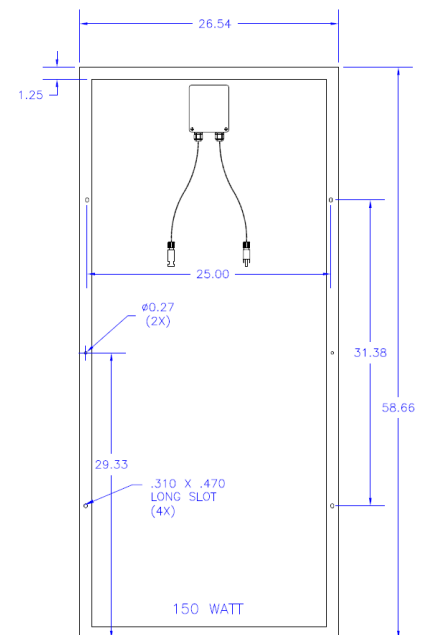
| SWPB Part # | 017103 | 019922 |
|---------------------------------------|-------------|-------------|
| Rated Power (Watts) | 150W | 150W |
| Voc Open Circuit Voltage (Volts) | 22.5 | 22.5 |
| Isc Short Circuit Current (Amps) | 8.7 | 8.7 |
| Vmp Rated Voltage (Volts) | 18.3 | 18.3 |
| Imp Rated Current (Amps) | 8.2 | 8.2 |
| Max System Voltage (VDC) | 1000V | 1000V |
| Series Fuse Rating (Amps) | 15 | 15 |
| Dimensions and Weights | | |
| Module Size (l x w) inches | 58.7 x 26.5 | 58.7 x 26.5 |
| Module Size (l x w) mm | 1490 x 674 | 1490 x 674 |
| Weight (lb / kg) | 25.4 / 11.5 | 25.4 / 11.5 |
| Electrical / Thermal Parameters | | |
| Voltage Temperature coefficient (Voc) | -0.35%/°C | |
| Current Temperature coefficient (Isc) | 0.05%/°C | |
| Power Temperature coefficient (Pmax) | -0.40%/°C | |
| Peak Power Tolerance | +/-3% | |
| Warranty | | |
| Limited Workmanship Warranty | 2 years | |
| Limited Performance Warranty | 15 years | |



(017013) SWPB-150 J-box



(019922) SWPB-150 H4



SHOP NOW



Headquarters
30893 Ehlen Dr Sw
Albany, OR 97321
(866) 827-6527

