

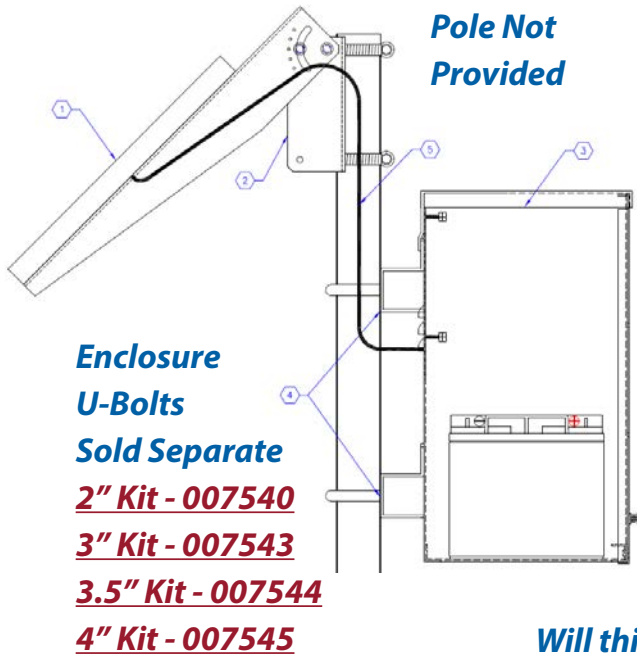
PRE-20-24-20-CPAA-101

20 Watt Array / 24-Volt / 20 Amp-hr

270321

SunWize Power and Battery has developed the Power Ready Express line to provide standard system configurations through use of our pre-wired control panels. We are able to stock the standard control panels to reduce lead time, reduce custom engineering and provide you a robust system with reliable components for a long lived system.

Systems that require larger solar arrays, converters, inverters or other custom configurations are still available through our standard Power Ready packages. Please contact us for your larger or custom system needs.



SYSTEM FEATURES:

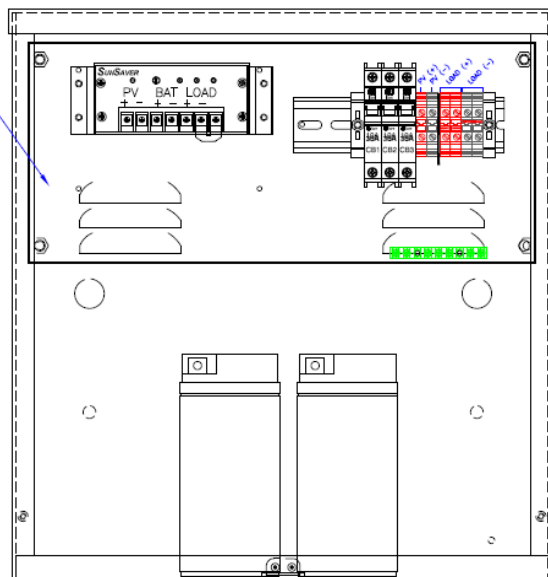
- 20W solar array on a side-of-pole mount
- NEMA 3R, outdoor aluminum enclosure
- 12V deep cycle Gel battery
- Pre-wired solar control panel with circuit breakers for easy disconnects & maintenance
- 15 ft tray cable output
- Installation manual and wiring diagram
- Factory QC testing performed on all systems
- Systems sized to IEEE 1562 specifications

*Telecom / Oil & Gas / Sensor Monitoring
Scada / Lighting / Security / Much More!*

Will this system run your load? Use our Design Tool to find out!

<https://www.sunwize.com/pre-design-tool/>

Pole-Mounting Style Enclosure



Don't see exactly what you need? We can customize any system to your exact needs, call us to get a quote
1-866-827-6527

**WILL POWER
CONTINUOUS
LOADS UP TO
1.5W**



C1-125 Enclosure

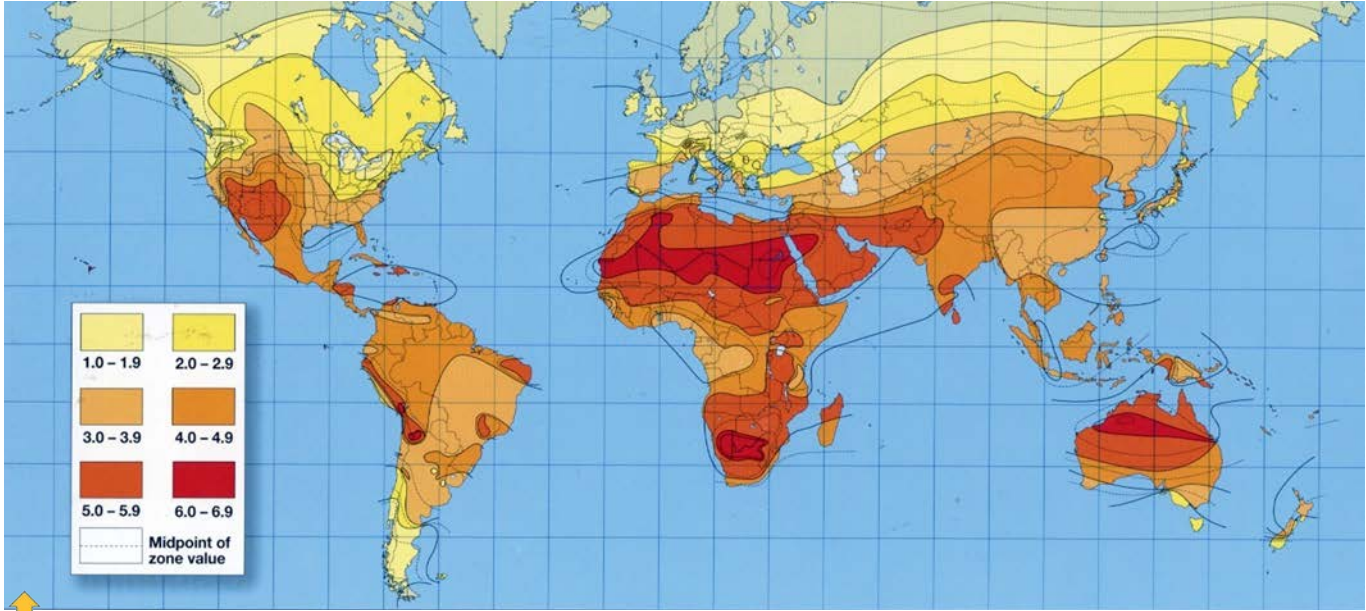
SHOP NOW



Headquarters
30893 Ehlen Dr Sw
Albany, OR 97321
(866) 827-6527



The world insolation map, showing the peak daily sun hours for the worst case month, is used to design a system for your equipment location. The PRE-20-24-20-CPAA-101 is built for reliable operation in the worst case weather conditions. Our systems are designed for a Loss of Load Probability (LOLP) of less than 0.1% for the worst month.



Use Solar Insolation Map to Find Monthly Peak Sun Hours Load Limit AH / day

System #	12V System Specifier	Enclosure	1.0	1.5	2.0	2.5	3.0	3.5	4.0	4.5	5.0	5.5	6.0
270321	PRE-20-24-20-CPAA-101	C1-125	0.2	0.3	0.4	0.6	0.7	0.8	1.0	1.1	1.2	1.4	1.5

Load Conversion Example: $1.0W \text{ continuous load, } 1.0W/25.26V = 0.04A * 24Hr = 0.95 \text{ AH / day}$

→ This corresponds to a reliable system in zones with 4.0+ sun hours

Technical Specifications

24V

Solar Module (C1D2)	019376
Model	Solar Tech SPM020P-WP-F
Module Qty	1
Array Size	20W
Sealed Battery (GEL)	002746
Model	MK ES20-12C
Battery Qty	2
Battery Bank Capacity	20Ah at C/20
Control Panel	230035
Controller (PWM)	Morningstar SS-10L-24V
Mount (Side-of-Pole)	007984 (requires assembly)
Rail Length	18"
Pole Size	2"-4"
Mount Windspeed	110MPH Exposure C, ASCE 7.05
Enclosure (NEMA3R)	004160
Model	C1-125
Dimensions, Weight	17"H x 16"W x 9"D, 12lbs

General Features	
Operating Temperature	-30°C to +50°C
VRLA Battery Life	Rated for 500 cycles at 80% DoD
Electrical Safety	NEC Compliant Circuit Protection



Pre-wired 230035 Control Panel with SS-10L-24V

SHOP NOW



Headquarters
30893 Ehlen Dr Sw
Albany, OR 97321
(866) 827-6527

