

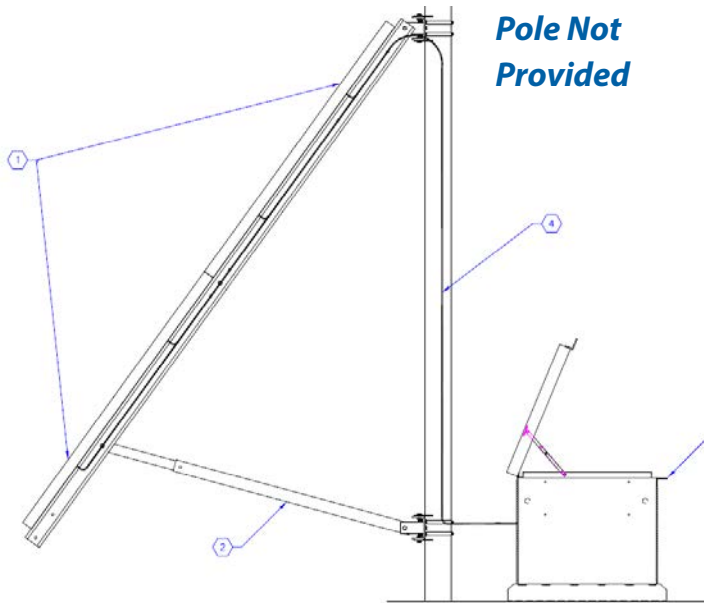
PRE-2LFM-12-1060-TPWA-101

600+ Watt Array / 12-Volt / 1060 Amp-hr

270320

SunWize Power and Battery has developed the Power Ready Express line to provide standard system configurations through use of our pre-wired control panels. We are able to stock the standard control panels to reduce lead time, reduce custom engineering and provide you a robust system with reliable components for a long lived system.

Systems that require larger solar arrays, converters, inverters or other custom configurations are still available through our standard Power Ready packages. Please contact us for your larger or custom system needs.



**Pole Not
Provided**

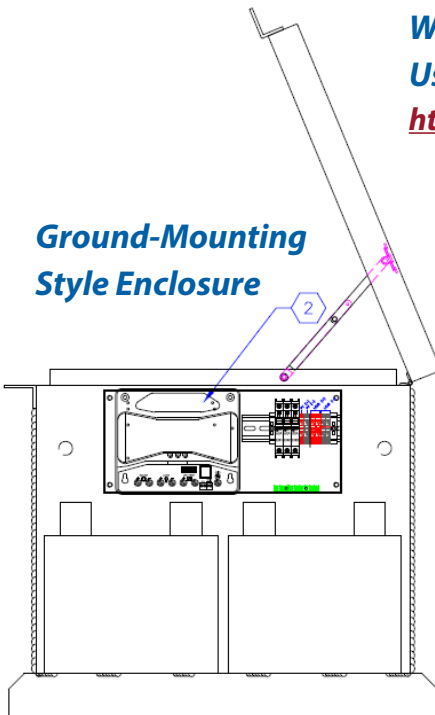
SYSTEM FEATURES:

- 600W solar array on a side-of-pole mount
- NEMA 3R, white-powder-coated outdoor aluminum enclosure
- 12V deep cycle Gel battery
- Pre-wired solar control panel with circuit breakers for easy disconnects & maintenance
- 15 ft MC4 cable output
- Installation manual and wiring diagram
- Factory QC testing performed on all systems
- Systems sized to IEEE 1562 specifications

**Will this system run your load?
Use our Design Tool to find out!**

<https://www.sunwize.com/pre-design-tool/>

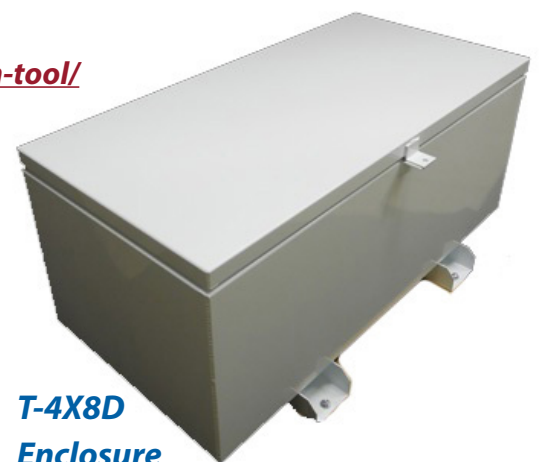
**Ground-Mounting
Style Enclosure**



**WILL POWER
CONTINUOUS
LOADS UP TO
72W**

Don't see exactly what you need? We can customize any system to your exact needs, call us to get a quote

1-866-827-6527



**T-4X8D
Enclosure**

*Telecom / Oil & Gas / Sensor Monitoring
Scada / Lighting / Security / Much More!*

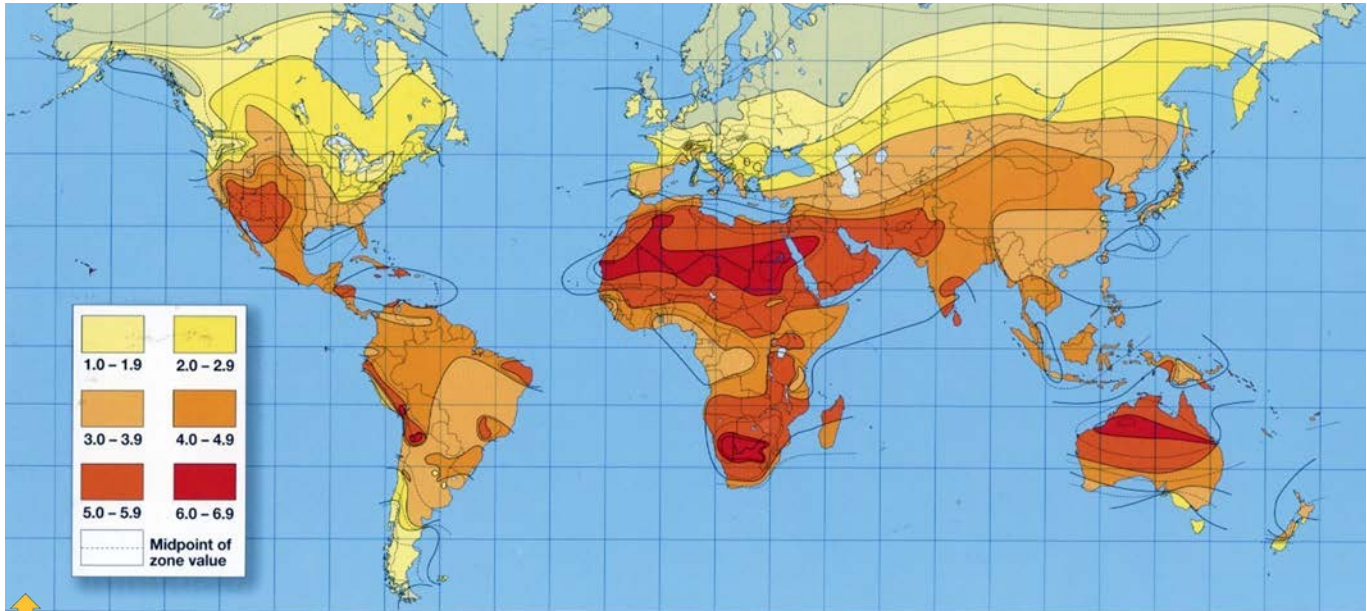
SHOP NOW



Headquarters
30893 Ehlen Dr Sw
Albany, OR 97321
(866) 827-6527



The world insolation map, showing the peak daily sun hours for the worst case month, is used to design a system for your equipment location. The PRE-2LFM-12-1060-TPWA-101 is built for reliable operation in the worst case weather conditions. Our systems are designed for a Loss of Load Probability (LOLP) of less than 0.1% for the worst month.



Use Solar Insolation Map to Find Monthly Peak Sun Hours → Load Limit AH / day

System #	12V System Specifier	Enclosure	1.0	1.5	2.0	2.5	3.0	3.5	4.0	4.5	5.0	5.5	6.0
270320	PRE-600-12-1060-TPWA-101	T-4x8D	26.0	36.0	46.7	60.2	65.4	79.9	97.5	106.1	122.3	137.2	155.4

Load Conversion Example: $30W \text{ continuous load, } 30.0W/12.63V = 2.38A * 24Hr = 57 \text{ AH / day}$

→ This corresponds to a reliable system in zones with 2.5+ sun hours

Technical Specifications

12V

Solar Module Large Format 72-cell 300W+

Model	Premium 72-cell 300W+
Module Qty	2
Array Size	600W

Sealed Battery (GEL) 002806

Model	MK 8G8DLTP-DEKA
Battery Qty	4
Battery Bank Capacity	1060Ah at C/100

Control Panel 230058

Controller (MPPT)	Morningstar PS-40M-MPPT
-------------------	-------------------------

Mount (Side-of-Pole) 240003 (requires assembly)

Rail Length	104"
Pole Size	4"-6"
Mount Windspeed	110MPH Exposure C, ASCE 7.05

Enclosure (NEMA3R) 004140

Model	T-4X8D
Dimensions, Weight	20.5"H x 48.3"W x 23.8"D, 75lbs

General Features

Operating Temperature	-30°C to +50°C
VRLA Battery Life	Rated for 500 cycles at 80% DoD
Electrical Safety	NEC Compliant Circuit Protection



Pre-wired 230058 Control Panel with PS-40M-MPPT

SHOP NOW



Headquarters
30893 Ehlen Dr Sw
Albany, OR 97321
(866) 827-6527

