

Little Mount, 1" to 6" Pole

240009

SunWize Power & Battery's Little Mount is a reliable cost-effective solution for mounting a single ... module. The simple design makes it easy to setup and easy to adjust to a wide range of tilt angles.

Standard 2" U-bolt included.

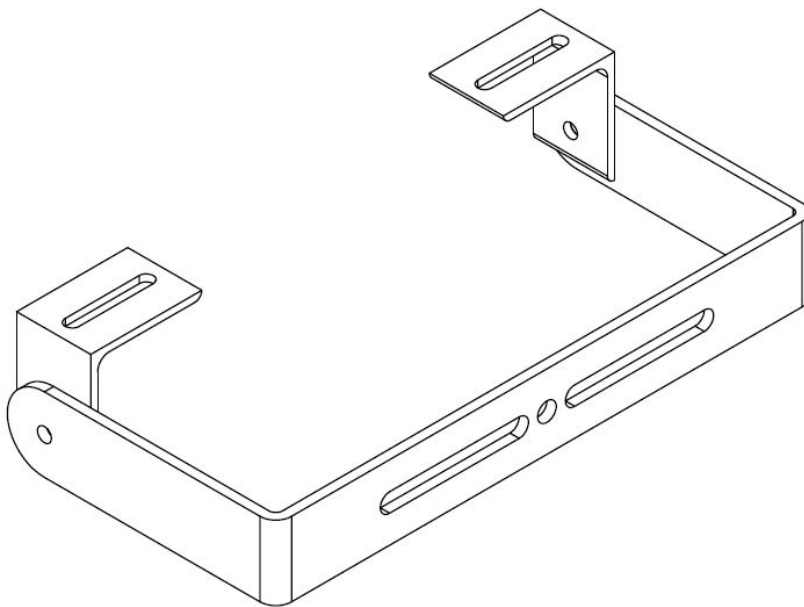
All SunWize brand mounts are made of aircraft grade structural members in heavy gauge mill-finish aluminum with stainless steel fasteners.

KEY FEATURES:

- Durable design
- Bolt together construction
- Easy to install
- Accomodates a variety of modules



Technical Specifications



Module Qty.	1-Mod
Max Array Size	30W
Tilt Range*	0-90°
Weight	2 lbs.
Pole Size	1" - 6"

* When mounted at top of pole.
If mounted lower, tilt range is dependent upon module size

SHOP NOW



Headquarters
30893 Ehlen Dr Sw
Albany, OR 97321
(866) 827-6527

