

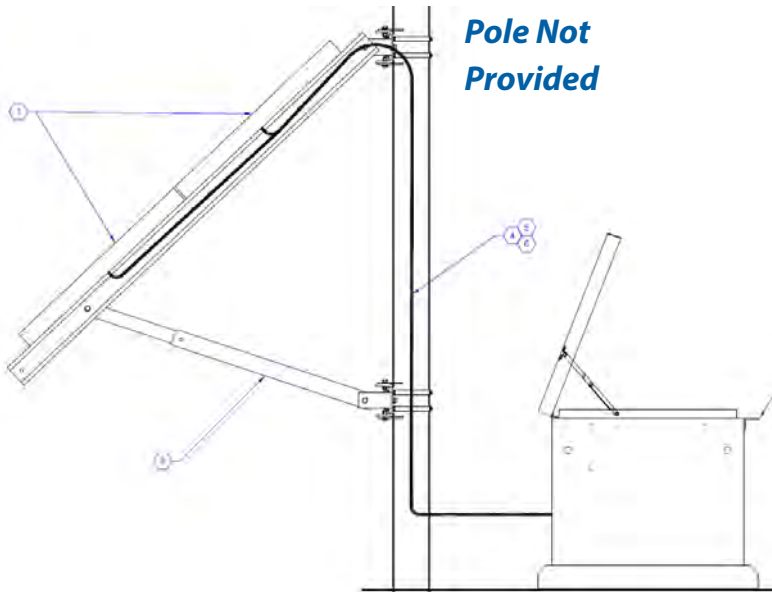
PRE-300-12-530-TPWA-101

300 Watt Array / 12-Volt / 530 Amp-hr

270316

SunWize Power and Battery has developed the Power Ready Express line to provide standard system configurations through use of our pre-wired control panels. We are able to stock the standard control panels to reduce lead time, reduce custom engineering and provide you a robust system with reliable components for a long lived system.

Systems that require larger solar arrays, converters, inverters or other custom configurations are still available through our standard Power Ready packages. Please contact us for your larger or custom system needs.



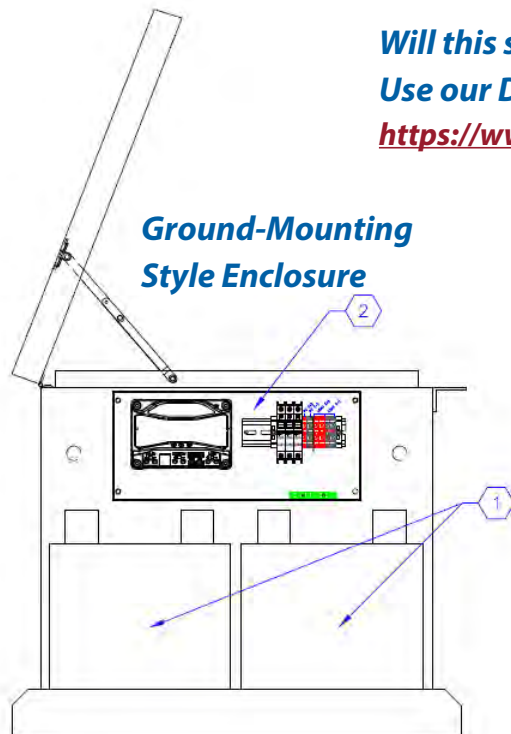
### SYSTEM FEATURES:

- 300W solar array on a side-of-pole mount
- NEMA 3R, white-powder-coated outdoor aluminum enclosure
- 12V deep cycle Gel battery
- Pre-wired solar control panel with circuit breakers for easy disconnects & maintenance
- 15 ft tray cable output
- Installation manual and wiring diagram
- Factory QC testing performed on all systems
- Systems sized to IEEE 1562 specifications

**Will this system run your load?**

**Use our Design Tool to find out!**

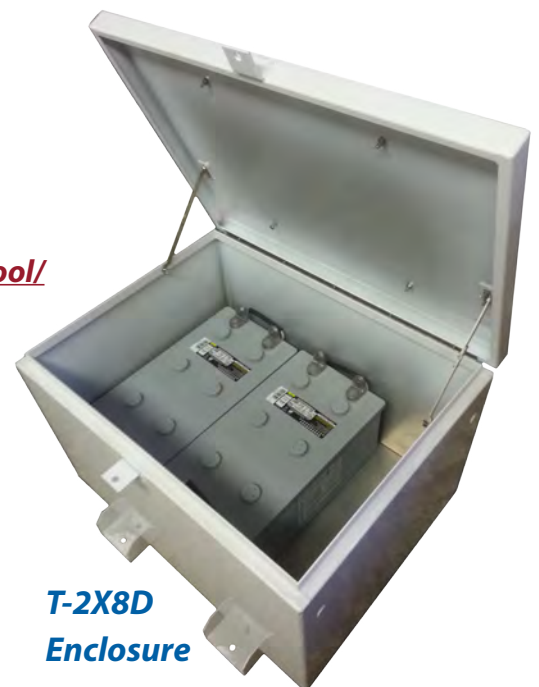
<https://www.sunwize.com/pre-design-tool/>



**WILL POWER  
CONTINUOUS  
LOADS UP TO  
36W**

Don't see exactly what you need? We can customize any system to your exact needs, call us to get a quote

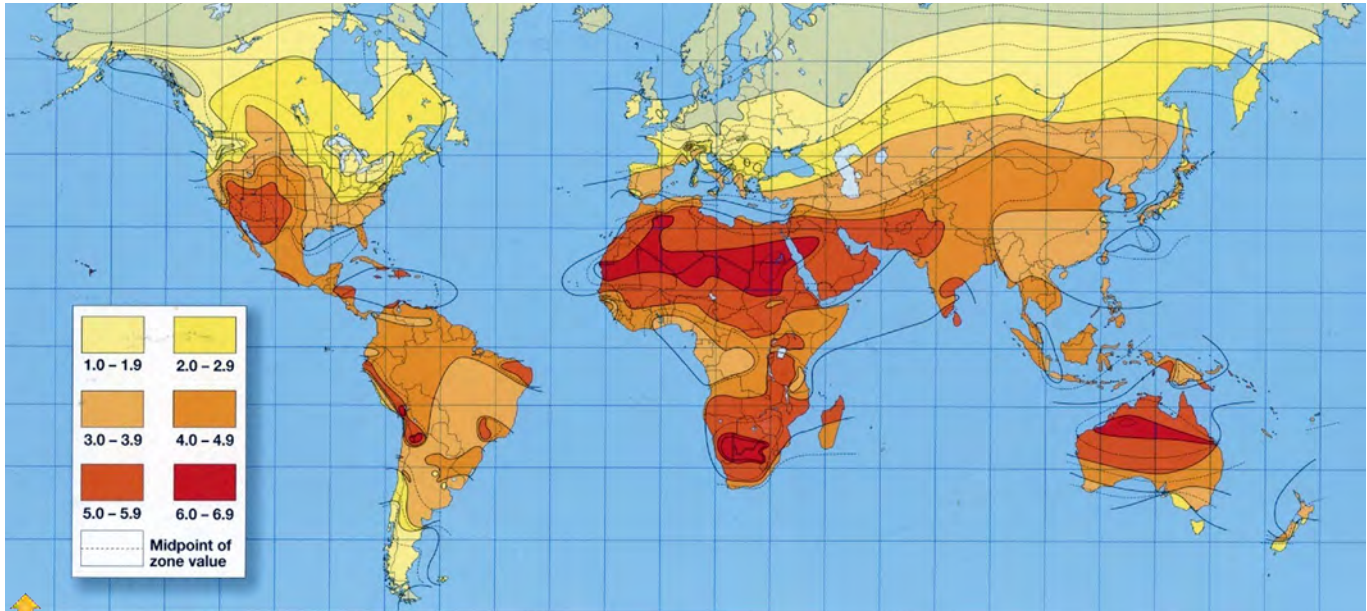
**1-866-827-6527**



*Telecom / Oil & Gas / Sensor Monitoring  
Scada / Lighting / Security / Much More!*



The world insolation map, showing the peak daily sun hours for the worst case month, is used to design a system for your equipment location. The PRE-300-12-530-TPWA-101 is built for reliable operation in the worst case weather conditions. Our systems are designed for a Loss of Load Probability (LOLP) of less than 0.1% for the worst month.



Use Solar Insolation Map to Find Monthly Peak Sun Hours Load Limit AH / day

System #	12V System Specifier	Enclosure	1.0	1.5	2.0	2.5	3.0	3.5	4.0	4.5	5.0	5.5	6.0
270316	PRE-300-12-530-TPWA-101	T-2x8D	12.7	19.1	25.4	31.8	38.2	44.5	50.9	57.2	63.6	70.0	76.3

Load Conversion Example:  $20W \text{ continuous load, } 20.0W/12.63V = 1.58A * 24Hr = 38 \text{ AH / day}$

→ This corresponds to a reliable system in zones with 3.0+ sun hours

## Technical Specifications

12V

<b>Solar Module</b>	<b>017103</b>
Model	SWPB 150W
Module Qty	2
Array Size	300W
<b>Sealed Battery (GEL)</b>	<b>002806</b>
Model	MK 8G8DLTP-DEKA
Battery Qty	2
Battery Bank Capacity	530Ah at C/100
<b>Control Panel</b>	<b>230041</b>
Controller (PWM)	Morningstar PS-30
<b>Mount (Side-of-Pole)</b>	<b>007953</b> (requires assembly)
Rail Length	53"
Pole Size	2"-4"
Mount Windspeed	110MPH Exposure C, ASCE 7.05
<b>Enclosure (NEMA3R)</b>	<b>004230 or 260019</b>
Model	T-2X8D or M2-8D (pole mount opt.)
Dimensions, Weight	20.5"H x 31.1"W x 23.8"D, 55lbs

General Features	
Operating Temperature	-30°C to +50°C
VRLA Battery Life	Rated for 500 cycles at 80% DoD
Electrical Safety	NEC Compliant Circuit Protection



Pre-wired 230041 Control Panel with PS-30

