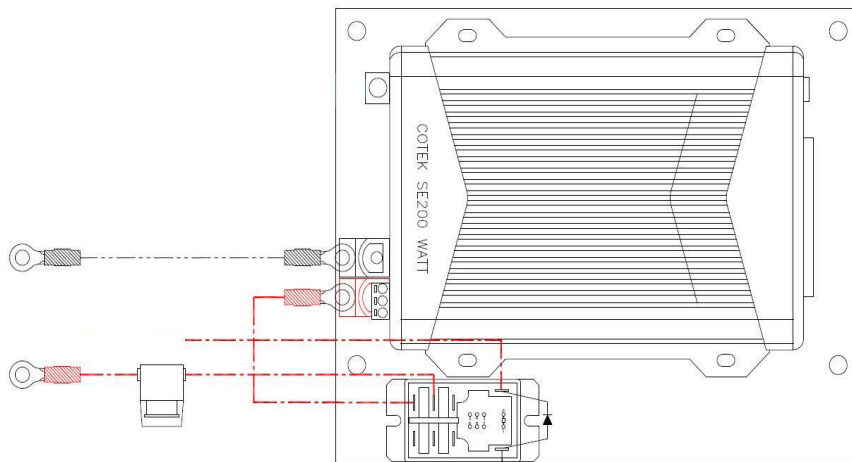


DC to AC Inverter Accessories for Power Ready Express Systems

The SunWize DC to AC Inverter Accessory Panel features a Cotek SE200-112 inverter that hooks directly into the user's battery bank. The inverter outputs 200W of pure sine wave AC power at 50/60 Hz and works in conjunction with our [Power Ready Express Systems](#).

FEATURES:

- Easy Installation
- 120VAC Pure Sine Wave Output
- Includes 30A Inline Fuse
- Optional Panels with Relay for Controller Protection



| | 230077 | 230078 |
|----------------|-----------------|-----------------|
| Input Voltage | 12 | 24 |
| Output Voltage | 120 | 120 |
| Frequency | 50/60 | 50/60 |
| Watts | 200 | 200 |
| Relay | No | No |
| Inverter Model | Cotek SE200-112 | Cotek SE200-124 |

| | 230130 | 230137 |
|----------------|-----------------|-----------------|
| Input Voltage | 12 | 24 |
| Output Voltage | 120 | 120 |
| Frequency | 50/60 | 50/60 |
| Watts | 200 | 200 |
| Relay | Yes | Yes |
| Inverter Model | Cotek SE200-112 | Cotek SE200-124 |

| MODEL | | SE200-112 | SE200-124 |
|------------|-------------------------------------------|--------------------------------------------------|----------------|
| Output | AC Voltage | 100 / 110 / 115 / 120VAC +/- 5% | |
| | Rated Power | 200VA | |
| | Over Rated Power (3min.) | 230VA | |
| | Peak Power | 250VA | |
| | Waveform (@rated VDC, linear load) | THD < 3.0% | |
| | Frequency | 50 / 60Hz +/- 0.5% | |
| Input | DC Voltage | 12VDC | 24VDC |
| | Voltage Range | 10.0 ~ 16.0VDC | 20.0 ~ 32.0VDC |
| | Efficiency (Typ.) | 87% | 87% |
| | No load power consumption | @12VDC | @24VDC |
| | On mode @save mode | < 0.12A | <0.6A |
| | On mode @ no load mode | < 0.5A | < 0.4A |
| Protection | BAT. Low Shutdown | 10.0VDC +/- 3% | 20.0VDC +/- 3% |
| | BAT. Low Alarm | 10.5VDC +/- 3% | 21.0VDC +/- 3% |
| | BAT. Low Restart | 12.5VDC +/- 3% | 25.0VDC +/- 3% |
| | BAT. High Alarm | 15.5VDC +/- 3% | 31.0VDC +/- 3% |
| | BAT. High Shutdown | 16.0VDC +/- 3% | 32.0VDC +/- 3% |
| | BAT. High Restart | 14.5VDC +/- 3% | 29.0VDC +/- 3% |
| | Protection | Overload, short circuit, DC over / under voltage | |
| | DC Input Reverse Polarity | By Fuse | |

Headquarters

30893 Ehlen Dr Sw
Albany, OR 97321
(866) 827-6527

