

Features:

- Power ON / OFF remote control (Green Terminal)
- Wide input range : 10~16VDC (112 / 212), 20~32VDC (124 / 224)
- Wide operating temperature: -20°C ~ 60°C
- Input & output fully isoation
- Output frequency (50 / 60Hz) selectable by DIP switch
- Output voltage / power saving mode selectable
- Input Protection: Reverse Polarity (Fuse) / Under Voltage / Over Voltage
- Output Protection: Short Circuit / Overload / Over Temperature
- E13 / CE / FCC approved



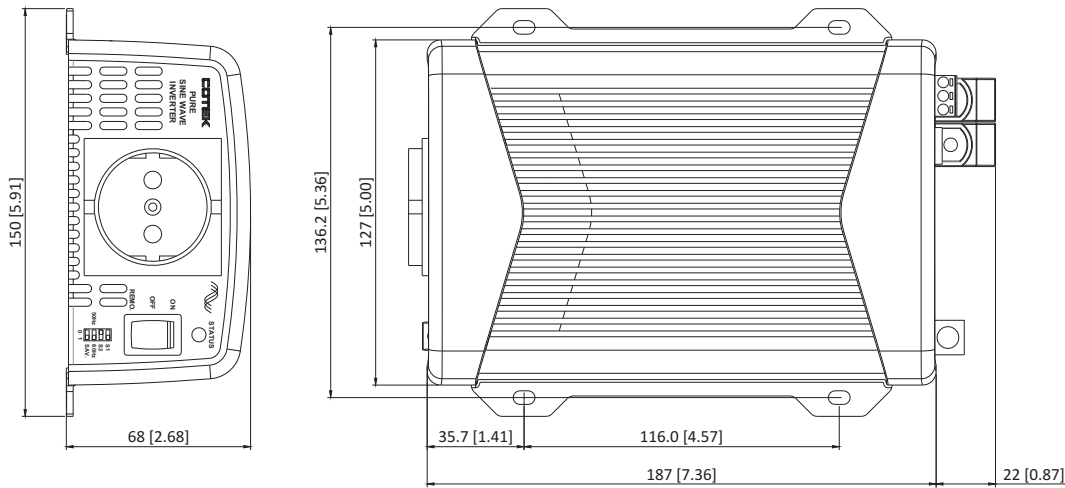
| MODEL | | SE200-112 | SE200-124 | SE200-212 | SE200-224 |
|--------------|------------------------------------|---|-------------------------------------|---|----------------|
| Output | AC Voltage | 100 / 110 / 115 / 120VAC ±5% | | 200 / 220 / 230 / 240VAC ±5% | |
| | Rated Power | 200VA | | | |
| | Over Rated Power (3 Min.) | 230VA | | | |
| | Peak Power (3 Sec.) | 250VA | | | |
| | Waveform (@rated VDC, linear load) | THD < 3.0% | | | |
| | Frequency | 50 / 60Hz ±0.5% | | | |
| Input | DC Voltage | 12VDC | 24VDC | 12VDC | 24VDC |
| | Voltage Range | 10.0 ~ 16.0VDC | 20.0 ~ 32.0VDC | 10.0 ~ 16.0VDC | 20.0 ~ 32.0VDC |
| | Efficiency (Typ.) | 89% | 91% | 91% | 93% |
| | No load power consumption | @12VDC | @24VDC | @12VDC | @24VDC |
| | On mode @ save mode | < 0.12A | < 0.06A | < 0.12A | < 0.06A |
| | On mode @ no load mode | < 0.5A | < 0.4A | < 0.5A | < 0.4A |
| Protection | BAT. Low Shutdown | 10.0VDC ±3% | 20.0VDC ±3% | 10.0VDC ±3% | 20.0VDC ±3% |
| | BAT. Low Alarm | 10.5VDC ±3% | 21.0VDC ±3% | 10.5VDC ±3% | 21.0VDC ±3% |
| | BAT. Low Restart | 12.5VDC ±3% | 25.0VDC ±3% | 12.5VDC ±3% | 25.0VDC ±3% |
| | BAT. High Alarm | 15.5VDC ±3% | 31.0VDC ±3% | 15.5VDC ±3% | 31.0VDC ±3% |
| | BAT. High Shutdown | 16.0VDC ±3% | 32.0VDC ±3% | 16.0VDC ±3% | 32.0VDC ±3% |
| | BAT. High Restart | 14.5VDC ±3% | 29.0VDC ±3% | 14.5VDC ±3% | 29.0VDC ±3% |
| | Protection | Overload, short circuit, DC over / under voltage, Over Temperature | | | |
| | DC Input Reverse Polarity | By Fuse | | | |
| Environment | Working Temp. | -20°C ~ +60°C | | | |
| | Storage Temp. | -30°C ~ +70°C | | | |
| | Working Humidity | Max. 90%, RH non-condensing | | | |
| Safety & EMC | Safety Standards | ----- | | Certified EN60950-1 | |
| | EMC Standards | Certified FCC Class B | | Certified EN55022 Class B Certified EN61204-3 Certified EN61000-6-3 Certified EN61000-3-2 Certified EN61000-3-3 Certified EN55024 Certified EN61000-6-1 Certified EN61000-4-2, 3, 4, 5, 6, 8, 11 | |
| | E-mark | ----- | | Certified CISPR 25; ISO 7637-2 | |
| | Others | Dimension (WxHxD) | 150x68x187 mm / 5.91x2.68x7.36 inch | | |
| | Packing | 1.6kg; 6pcs / 10.6kg / 1.45CUFT | | | |
| | Cooling | Load and temperature control fan | | | |
| | Application | Home and Office appliances, Portable Power Equipment, Vehicle, Yacht and Off-Grid Solar power systems ...etc. | | | |

LED Status:

| Status | LED Signal |
|--------------------------|------------|
| Power on | |
| Normal | |
| Saving mode | |
| O/P overload (100%~115%) | |
| O/P short circuit | |
| Over temperature | |
| Under voltage alarm | |
| Shut down under battery | |
| Over voltage | |
| Shut down over battery | |
| Fan alarm | |

Mechanical Drawings:

unit : mm / [inch]



Output socket (option):

| | | |
|---------------------------------|-----------------------|------------------------------------|
| North America (GFCI) | NEMA 5-15R | Continental Europe |
| United Kingdom | Universal | Australia / New Zealand |