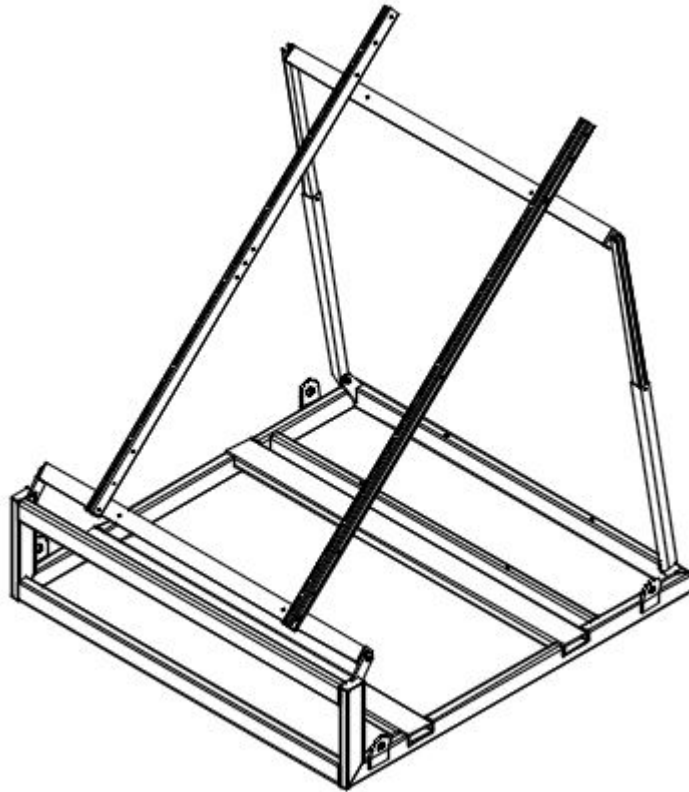


# SunWize Power & Battery Mount Installation Guide Skid Mount

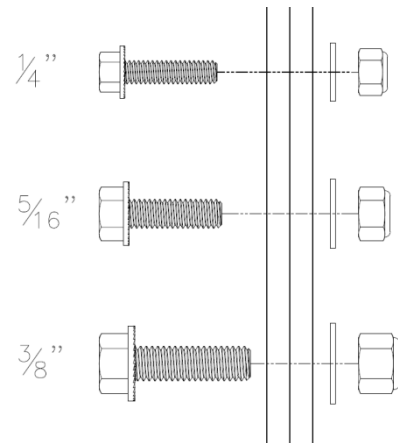


The mount consists of:

- 1x Steel Base
- 2x Steel Crossbars
- 2x Module Rails
- 2x Adjustable Tilt Legs
- 1/4", 5/16", 3/8" SS hardware kits as needed

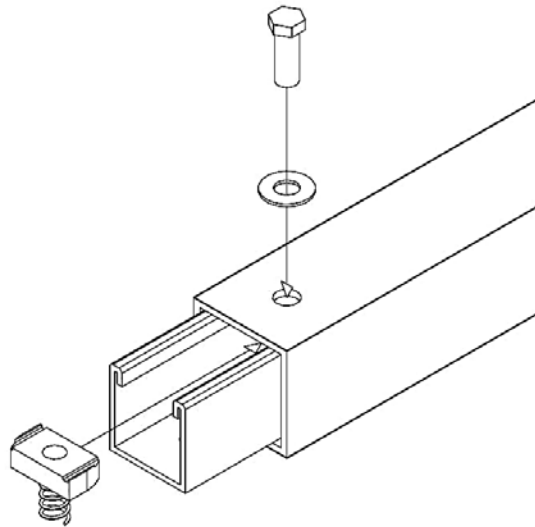
**Hardware Note:**

- When installing hardware, the washer is always placed on the same side as the nut.
- Apply anti-seize to all hardware to prevent galling.

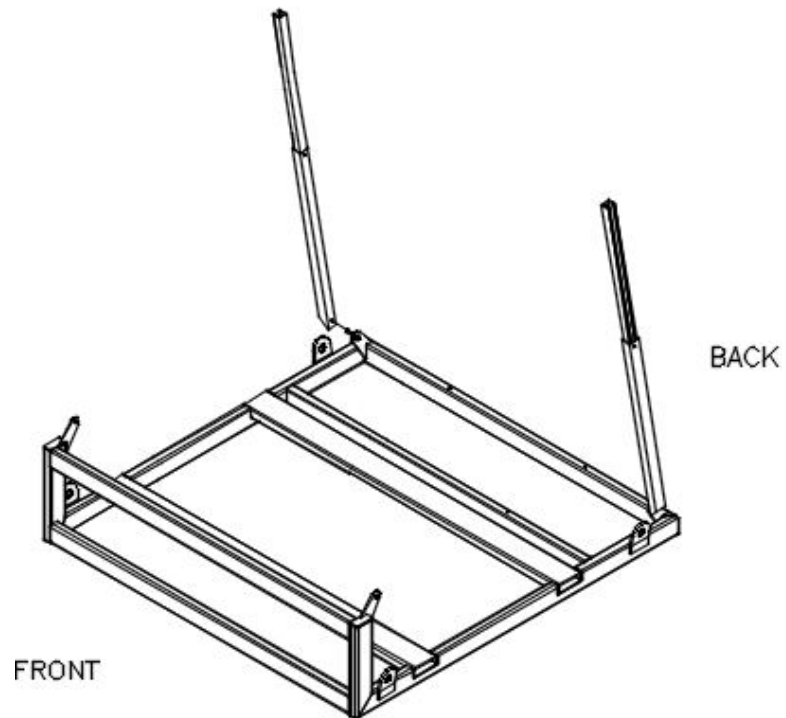


## Mount Assembly and Installation: Skid Mounting Structure

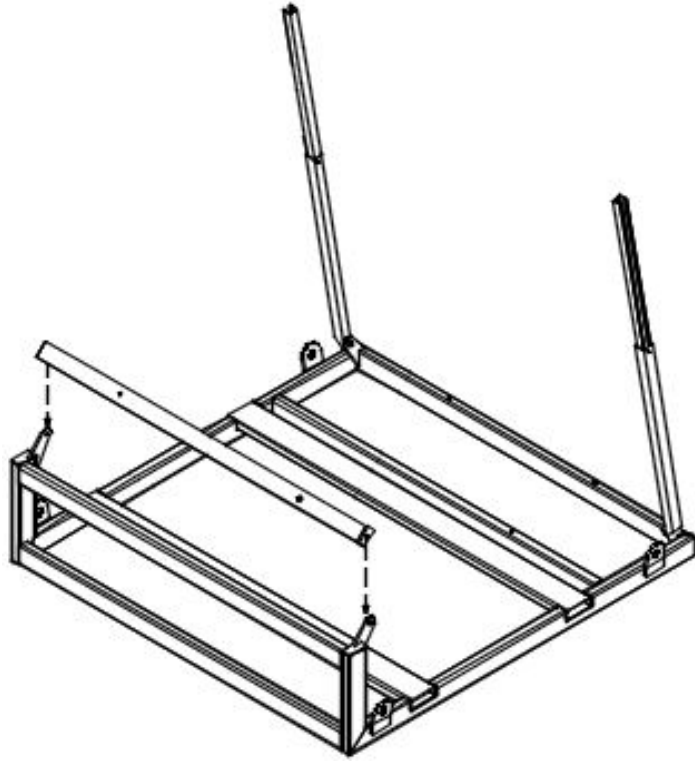
1. Assemble the tilt legs by sliding the channel into the tube. Install the channel nut and 3/8" bolt.



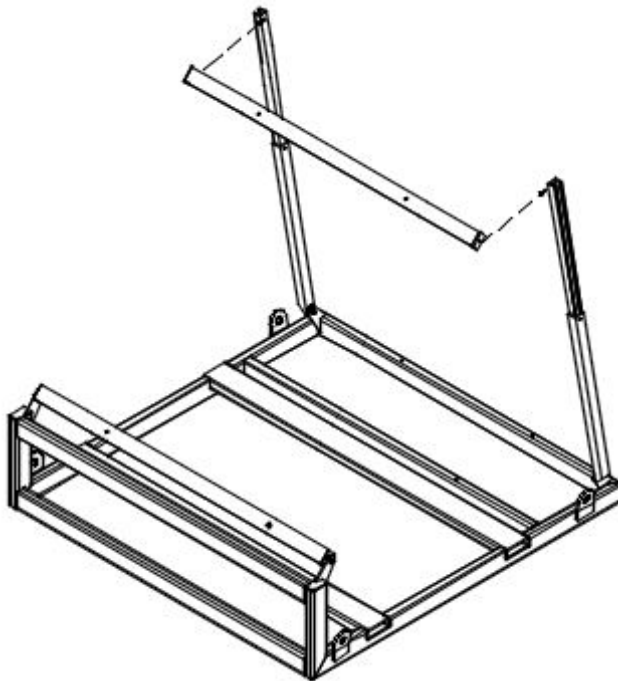
2. Attach tilt legs to the rear steel base tabs using the provided 3/8" hardware.



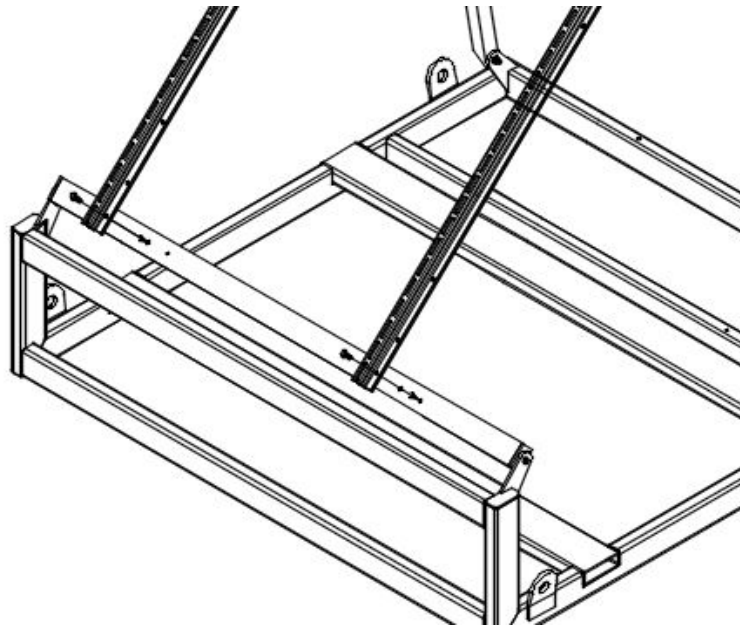
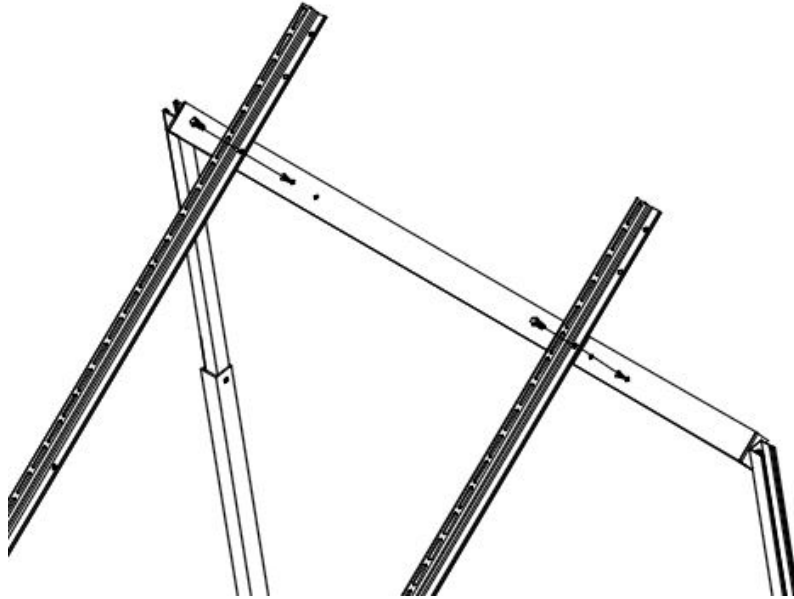
3. Attach one cross bar to front tabs using provided 3/8" hardware.



4. Attach a second cross bar to the free ends of the tilt legs using provided 3/8" hardware.

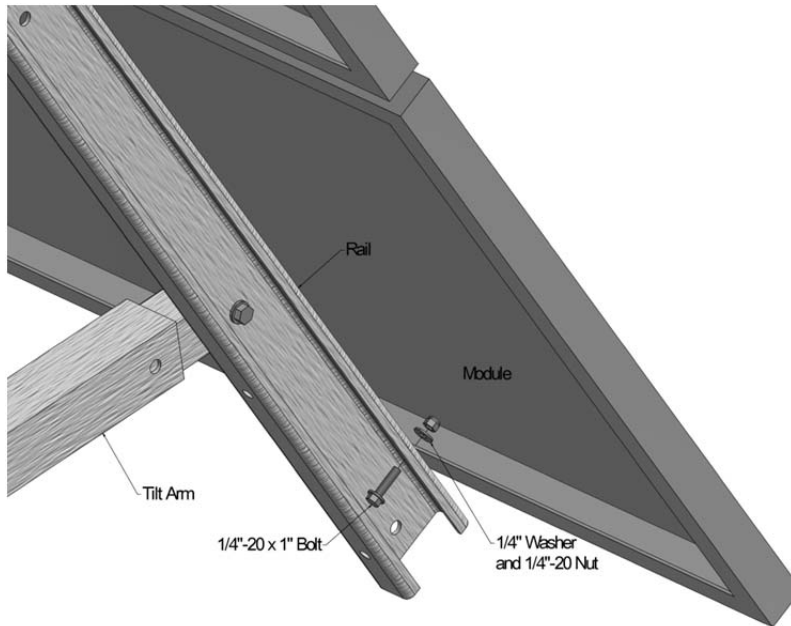


5. Attach module rails to both front and back crossbars using provided 5/16" hardware. Mount module rails to cross bar based on which holes align with desired solar module.



6. Extend or retract the adjustable tilt legs to achieve desired solar module angle.
7. Check alignment of all assembled parts and ensure all bolted connections are tight.

8. Mount the solar modules to the rails using the 1/4" hardware provided.



9. Securely fasten entire structure and use ballast as needed.