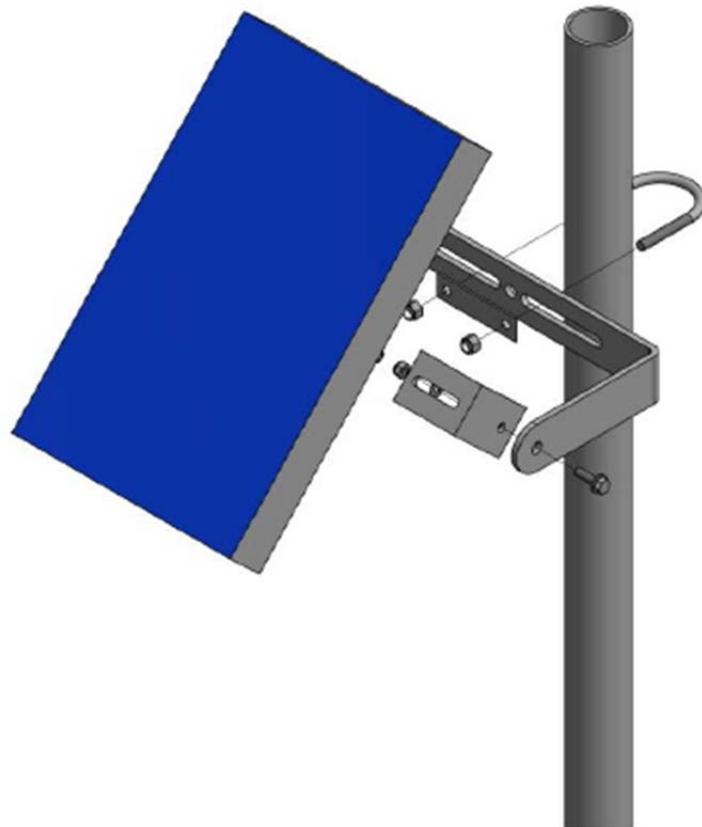




SunWize Power & Battery

Little Mount Installation Guide

P/N 240009



Mount Assembly and Installation

The Little Mount is designed for 2"-6" diameter standard round SCH40 steel poles. Ensure that the pole used matches the optimal range for the racking equipment provided.

Included Parts and Hardware:

- 1x U-bar
- 2x Angle bracket
- 2x 5/16"-18 x 1" Screw
- 2x 5/16"-18 Nylock Nut
- 2x 5/16" Washer
- 2x 1/4"-20 x 3/4" Screw
- 2x 1/4"-20 Nylock Nut
- 2x 1/4" Washer

Hardware Note:

- When installing hardware, the washer is always placed on the same side as the nut (see Figure 1 below).
- Apply anti-seize to all hardware to prevent galling.

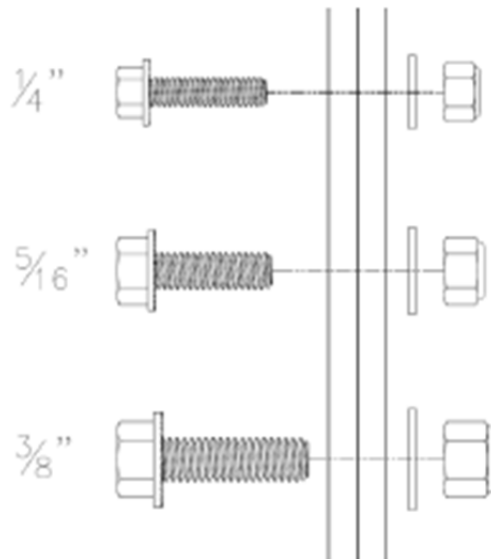


Figure 1: Always place washer on the same side as nut.

Pole Mount Site Preparation

- The pole used to support the photovoltaic array must be designed per the local soil conditions to meet the following minimum requirements:
 - Array area based at tilted angle
 - Typical sustained wind speed per the recommended local building code.
- The pole is to be seated against a firm crushed stone base, on firm compacted soil a minimum of 6" below the frost line encased in reinforced concrete per ASTM standards.
- The pole is to be level and plumb.
- The pole diameter and wall thickness sized to withstand array forces without damage.

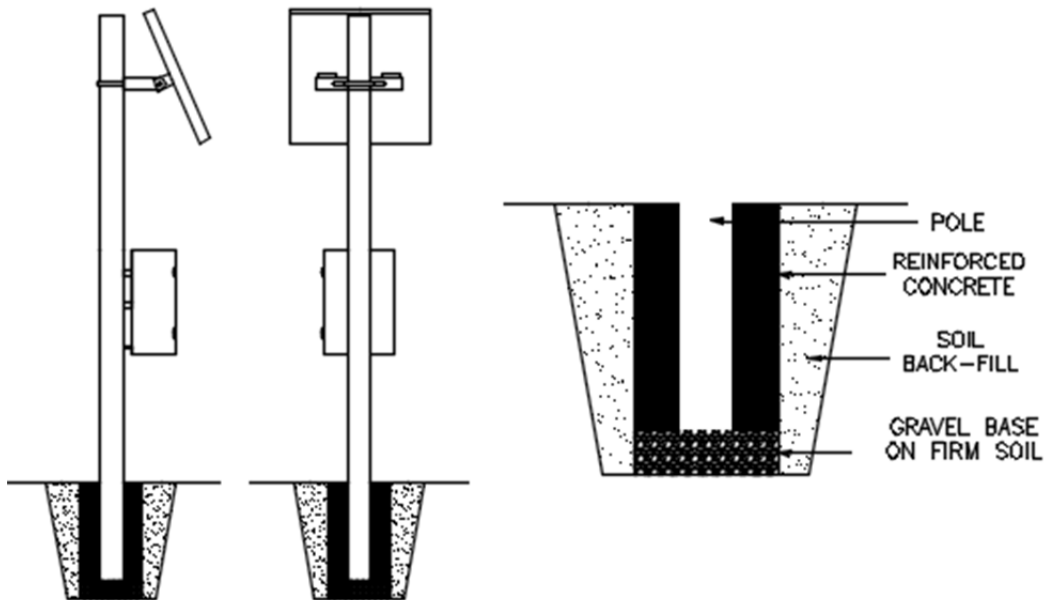


Figure 2: Proper installation of Little Mount PV system

Little Mount Installation

- Step 1: Measure the mounting-hole spacing of your module.
- Step 2: If module hole spacing is 12.75" or less attach the angle brackets to the U-bar as seen in Figure 3 below. If the module hole spacing is greater than 12.75", attach the angle brackets to the U-bar as seen in Figure 4 below. Use 5/16" hardware in both cases.



Figure 3



Figure 4

- Step 3: Mount module to the angle brackets using the 1/4" hardware as seen in Figure 5.
- Step 4: Mount the U-bar tightly to the pole with a U-bolt as seen in Figure 6. Make sure the mount faces SOUTH.

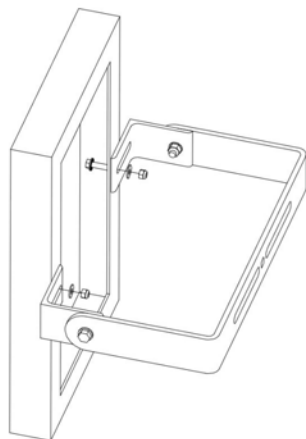


Figure 5

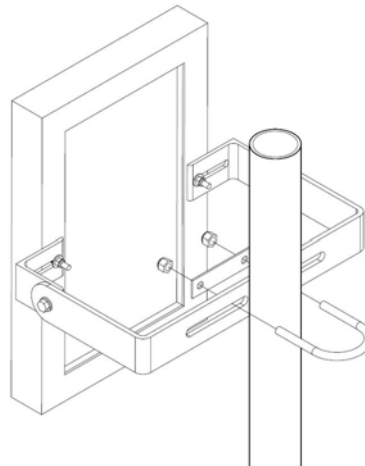


Figure 6

- Step 5: Adjust the module to the desired angle and tighten all bolts. Torque 5/16" hardware to 10-12 ft-lbs torque with a 1/2" wrench.